

INCBGG-LJN Counter Balance Valve (Restrictive, Maximum Setting 350bar)

INCBGG-LJN

DESCRIPTION

Fixed-setting, 3-port Counter Balance Valves with pilot assist function similarly to the adjustable versions except the fixed setting is pre-set to a nominal value.

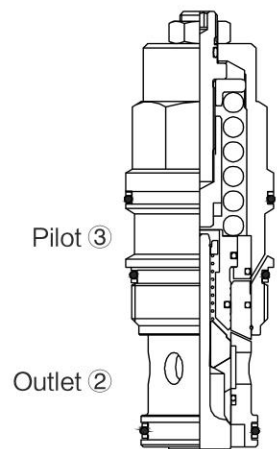
OPERATION

The check valve allows free flow from the directional valve (port ②) to the load (port ①) while a direct-acting, pilot-assisted relief valve controls flow from port ① to port ②.

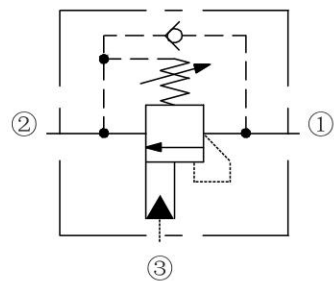
Pilot assist at port ③ lowers the effective setting of the relief valve at a rate determined by the pilot ratio.

FEATURES

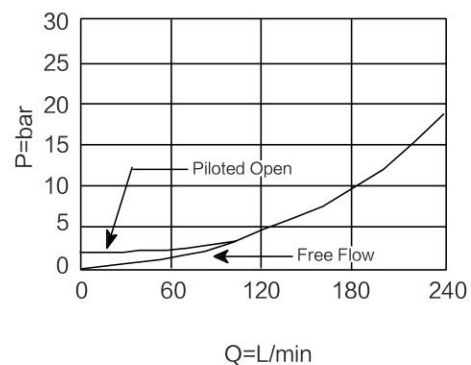
- Counter Balance Valves should be set at least 1.3 times the maximum load induced pressure.
- Back pressure at port ② adds to the effective relief setting at a ratio of ① plus the pilot ratio times the back pressure.
- Reseat exceeds 85% of set pressure when valve is standard set. Settings lower than the standard pressure may result in lower reseal percentage.



ISO SYMBOL



PERFORMANCE (Cartridge Only)



RATINGS

Maximum setting = 350 bar. 350bar Maximum recommended load pressure at maximum setting = 270bar

Flow Rating: See Performance Chart

Internal Leakage: 0.4ml/min max. to 85% of nominal setting.

Setting Pressure Defined:

bar (psi) evident at 7.6 lpm (2.0 gpm) attained

Pilot Ratio: 4.5: 1

Maximum setting pressure should be 1.3 times the maximum load induced pressure.

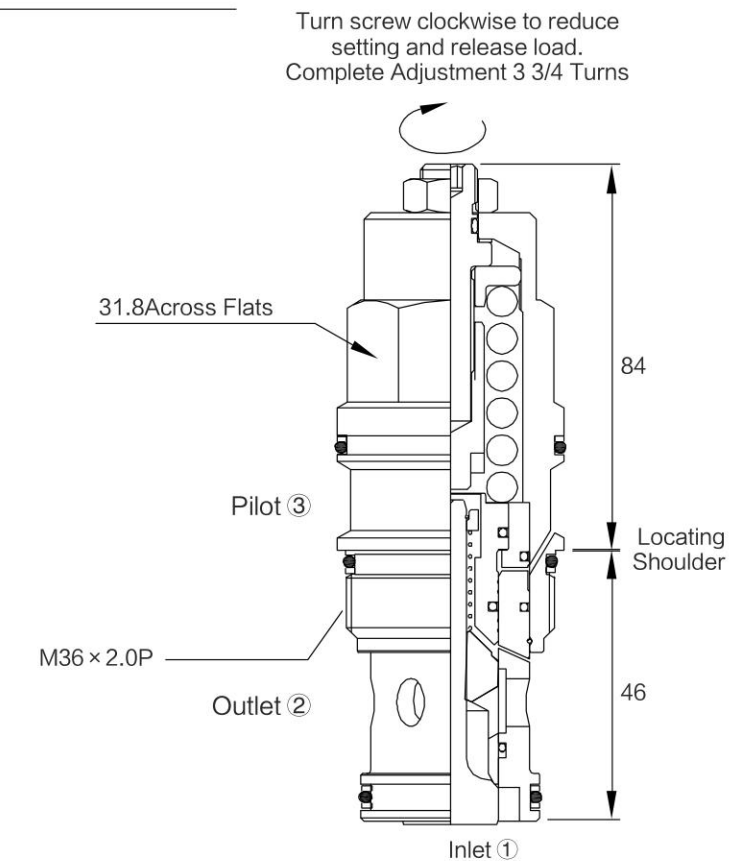
Temperature: -40°C to 120°C, with standard Buna seals;

Fluids: Mineral-based or synthetics with lubricating properties at viscosities of 7.4 to 420 cSt (50 to 2000 ssu);

Cavity: T16-3A, See bottom of this catalog.

Standard Ported Body: Steel rated at 420 bar (6090) .

DIMENSIONS



TO ORDER

