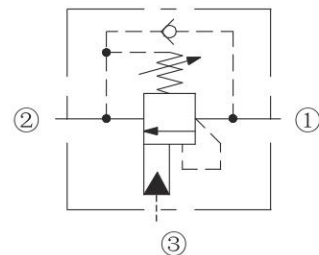
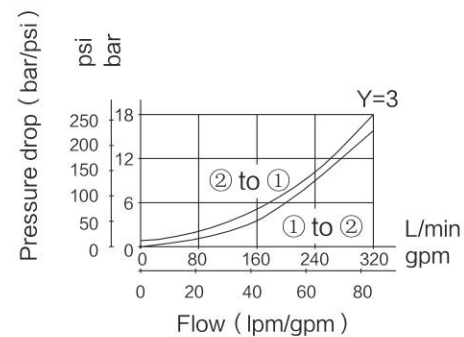


ISO SYMBOL



PERFORMANCE (Cartridge Only)



DESCRIPTION

Screw in cartridge type

OPERATION

IN04.52.25X58Z00\* When pressure at 2 rises above the spring bias pressure, the check seat is pushed away from the piston and flow is allowed from 2 to 1.

When load pressure at 1 rises above the pressure setting, the directacting,differential area relief function is activated and flow is relieved from 1 to 2. With pilot pressure at 3, the pressure setting is reduced in proportion to the stated ratio of the valve, until fully open with freeflow from 1 to 2. The spring chamber is drained to 2, and any backpressure at 2 is additive to the pressure setting in all functions.

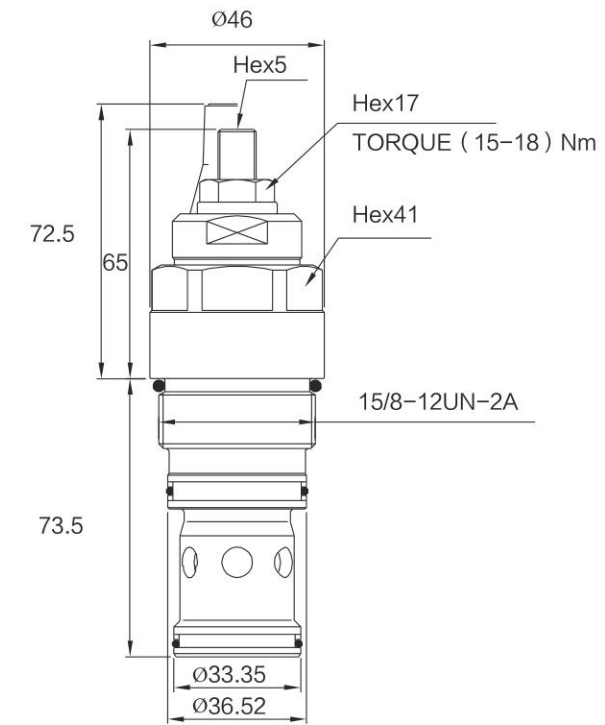
FEATURES

- Counter Balance Valves should be set at least 1.3 times the maximum load induced pressure.

RATINGS

- MAX SETTING PRESSURE:** 350bar. 350bar Maximum recommended load pressure at maximum setting = 270bar
- Flow Rating:** See Performance Chart
- Internal Leakage:** 15drops/min max. to 85% of nominal setting.
- Temperature:** -40°C to 120°C, with standard Buna seals;
- Fluids:** Mineral-based or synthetics with lubricating properties at viscosities of 7.4 to 420 cSt (50 to 2000 ssu);
- Cavity:** T20-3AS, See bottom of this catalog..
- Standard Ported Body:** Steel rated at 420 bar ( 6090psi ) .

DIMENSIONS



TO ORDER

IN04.52.25		X	58	Z	00 *	Version and options standard		
<b>Pilot Ratio:</b>								
4:1 03								
8:1 10								
Common cavity, Size :20								
				Adj.pressure range bar	SPRINGS Pres.increase bar/ turn	Std.setting bar Q=5L/min		
	For	20	70-210		70	200		
	X=10	35	140-350		108	350		
	For	20	70-210		70	200		
	X=10	40	140-420		135	350		

NOTE: Customer specific special setting stamped on hex.