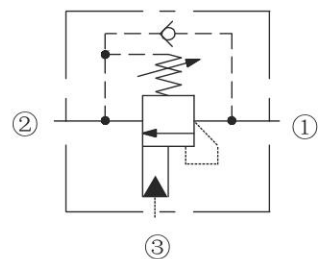
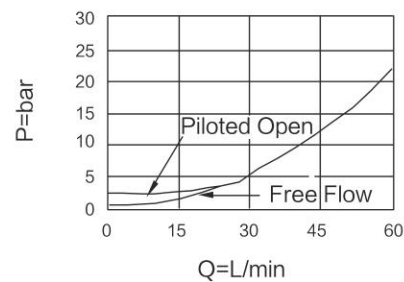


ISO SYMBOL



PERFORMANCE (Cartridge Only)



DESCRIPTION

Fixed-setting, 3-port Counter Balance Valves with pilot assist function similarly to the adjustable versions except the fixed setting is pre-set to a nominal value.

OPERATION

The check valve allows free flow from the directional valve (port ②) to the load (port ①) while a direct-acting, pilot-assisted relief valve controls flow from port ① to port ②. Pilot assist at port ③ lowers the effective setting of the relief valve at a rate determined by the pilot ratio.

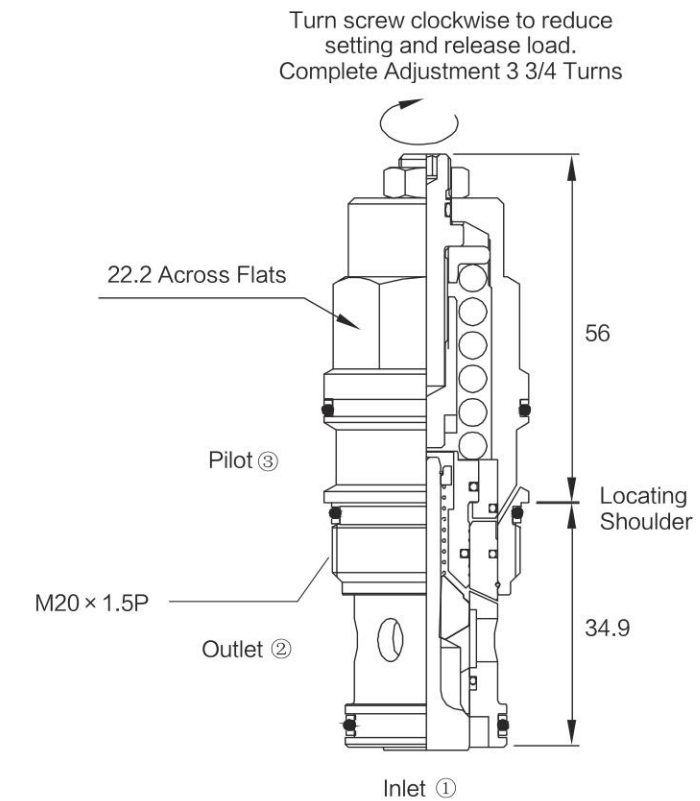
FEATURES

- Counter Balance Valves should be set at least 1.3 times the maximum load induced pressure.
- Back pressure at port ② adds to the effective relief setting at a ratio of ① plus the pilot ratio times the back pressure.
- Reseat exceeds 85% of set pressure when valve is standard set. Settings lower than the standard pressure may result in lower reseal percentage.

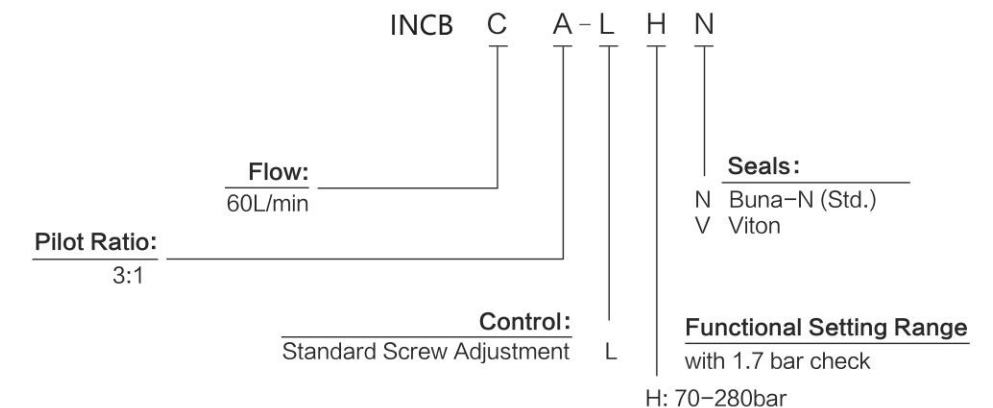
RATINGS

Maximum setting = 280 bar. 280bar Maximum recommended load pressure at maximum setting = 215 bar  
**Flow Rating:** See Performance Chart  
**Internal Leakage:** 0.4ml/min max. to 85% of nominal setting.  
**Setting Pressure Defined:** bar (psi) evident at 7.6 lpm (2.0 gpm) attained  
**Pilot Ratio:** 3: 1  
**Temperature:** -40°C to 120°C, with standard Buna seals;  
**Fluids:** Mineral-based or synthetics with lubricating properties at viscosities of 7.4 to 420 cSt (50 to 2000 sus)  
**Cavity:** T08-3B, See bottom of this catalog.  
**Standard Ported Body:** Steel rated at 420 bar ( 6090 psi ) .

DIMENSIONS



TO ORDER



NOTE: Customer specific special setting stamped on hex.