

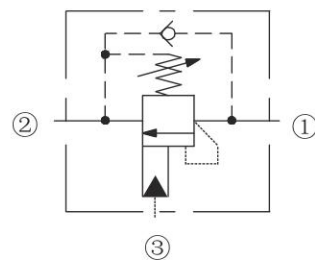
DESCRIPTION

Fixed-setting, 3-port Counter Balance Valves with pilot assist function similarly to the adjustable versions except the fixed setting is pre-set to a nominal value.

OPERATION

The check valve allows free flow from the directional valve (port 2) to the load (port 1) while a direct-acting, pilot-assisted relief valve controls flow from port 1 to port 2. Pilot assist at port 3 lowers the effective setting of the relief valve at a rate determined by the pilot ratio.

ISO SYMBOL



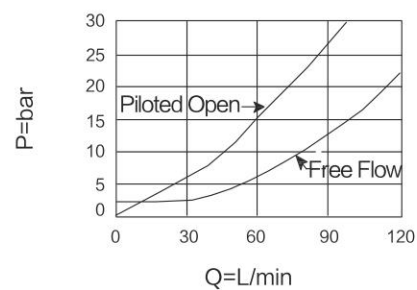
FEATURES

- Counter Balance Valves should be set at least 1.3 times the maximum load induced pressure.
- Back pressure at port 2 adds to the effective relief setting at a ratio of 1 plus the pilot ratio times the back pressure.
- Reseat exceeds 85% of set pressure when valve is standard set. Settings lower than the standard pressure may result in lower reseat percentage.

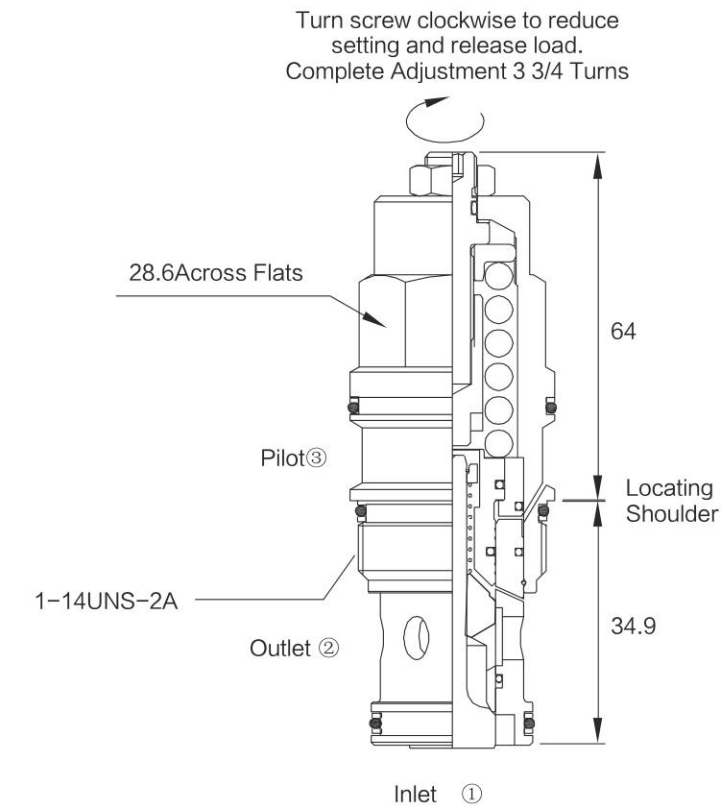
RATINGS

Maximum setting = 350 bar. Maximum recommended load pressure at maximum setting = 270 bar
Flow Rating: See Performance Chart
Internal Leakage: 0.4ml/min max. to 85% of nominal setting.
Setting Pressure Defined: bar (psi) evident at 7.6 lpm (2.0 gpm) attained
Pilot Ratio: 4.5: 1
 Maximum setting pressure should be 1.3 times the maximum load induced pressure.
Temperature: -40°C to 120°C, with standard Buna seals;
Fluids: Mineral-based or synthetics with lubricating properties at viscosities of 7.4 to 420 cSt (50 to 2000 ssu);
Cavity: T10-3B, See bottom of this catalog.
Standard Ported Body: Steel rated at 420 bar (6090psi) .

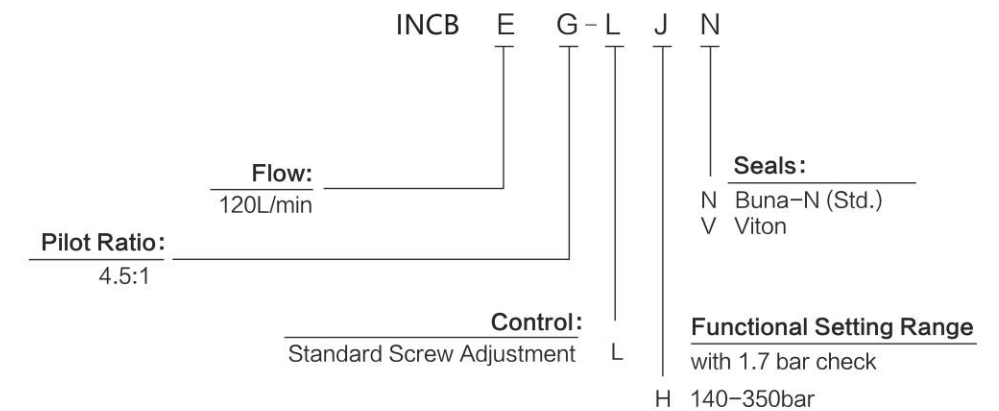
PERFORMANCE (Cartridge Only)



DIMENSIONS



TO ORDER



NOTE: Customer specific special setting stamped on hex.