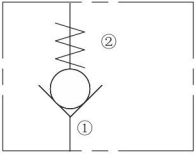
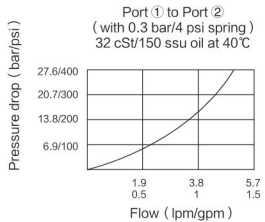


ISO SYMBOL



PERFORMANCE (Cartridge Only)



DESCRIPTION

A screw-in, cartridge-style, hydraulic check valve for use as a blocking or load-holding device. Available in conventional surface mount or convenient "down-hole" versions.

OPERATION

The INCV04-20 and INCV04-B20 allow flow passage from ① to ②, while normally blocking oil flow in the opposite direction. The cartridge has a fully guided check which is spring-biased closed until sufficient pressure is applied at ① to open to ②.

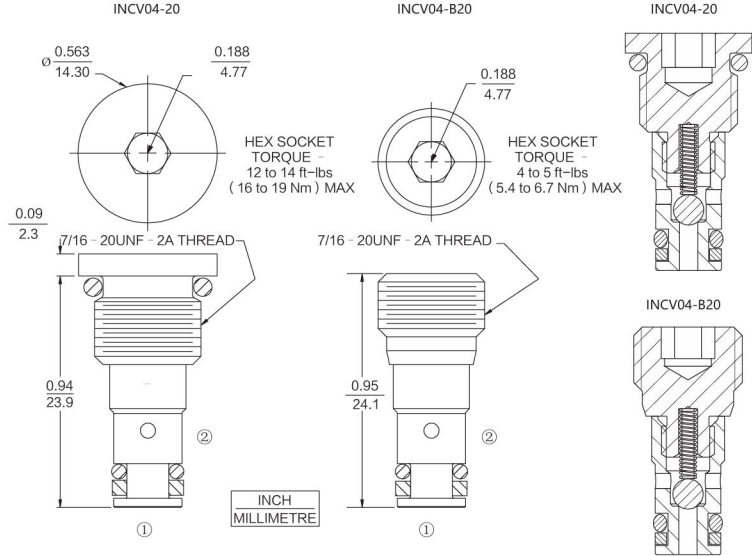
FEATURES

- Hardened seat for long life and low leakage.
- Optional bias springs for back-pressure application flexibility.
- Fully guided check assembly.
- Miniature size.
- Fast closing and seating.

RATINGS

Operating Pressure: 241.3 bar (3500 psi)
Flow: See Performance Chart
Internal Leakage: 0.10 cc/minute (2 drops/minute) max. at 206.8 bar (3000 psi)
Crack Pressure Defined: Gauge psi evident at 1 at 16.4 cc/minute (1 cu. in./minute) attained
Standard Bias Springs at Crack: 0.34 bar (5 psi)
Temperature: -40°C ~ 120°C
Fluids: Mineral-based or synthetics with lubricating properties at viscosities of 7.4 to 420 cSt (50 to 2000 ssu);
Cavity: T04-2A or T04-2B; See bottom of this catalog.

DIMENSIONS



MATERIALS

Cartridge Weight: 0.05 kg (0.12 lbs);
 Steel with hardened work surfaces.
 Zinc-plated exposed surfaces.
 Buna N O-rings and back-up standard.

TO ORDER

