

**DESCRIPTION**

A screw-in, cartridge-style, hydraulic check valve for use as a blocking or load-holding device.

**OPERATION**

The INCV08-20 allows flow passage from ① to ②, while normally blocking oil flow in the opposite direction. The cartridge has a fully guided check which is spring-biased closed until sufficient pressure is applied at ① to open to ②.

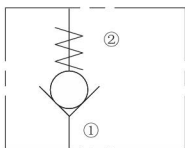
**FEATURES**

- Hardened seat for long life and low leakage.
- Optional bias springs for back-pressure application flexibility.
- Fully guided check assembly.
- Compact size.
- Fast closing and seating.

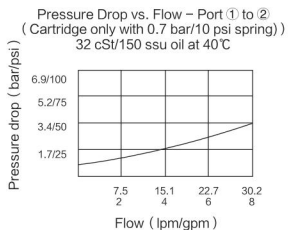
**RATINGS**

**Operating Pressure:** 240 bar (3500 psi)  
**Proof Pressure:** 350 bar (5075 psi)  
**Flow Rating:** See Performance Chart  
**Internal Leakage:** 0.10 ml/minute (2 drops/minute) max. at 240 bar (3500 psi)  
**Crack Pressure Defined:** Gauge psi evident at 1 at 16.4 cc/minute (1 cu. in./minute) attained  
**Standard Bias Springs at Crack:** 0.3 bar (4 psi); 0.7 bar (10 psi); 1.7 bar (25 psi); 4.1 bar (60 psi)  
**Temperature:** -40°C ~ 120°C  
**Fluids:** Mineral-based or synthetics with lubricating properties at viscosities of 7.4 to 420 cSt (50 to 2000 ssu)  
**Cavity:** T08-2E; See bottom of this catalog.

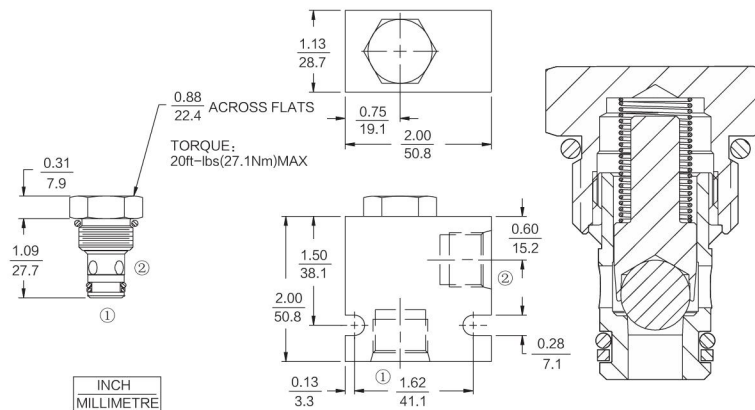
**ISO SYMBOL**



**PERFORMANCE (Cartridge Only)**



**DIMENSIONS**



BSP BODY-55.9

**MATERIALS**

**Cartridge Weight:** 0.05 kg (0.12 lbs); Steel with hardened work surfaces. Zinc-plated exposed surfaces. Buna N O-rings and back-up standard.  
**Standard Ported Body:** 0.16kg (0.35 lbs); Anodized highstrength 6061 T6 aluminum alloy, rated to 240 bar (3500 psi). Ductile iron bodies available; dimensions may differ.

**TO ORDER**

INCV08-20			
Porting		Bias Spring	
Cartridge Only	0	4	0.3 bar (4 psi)
SAE 4	4T	10	0.7 bar (10 psi)
SAE 6	6T	25	1.7 bar (25 psi)
SAE 8	8T	60	4.1 bar (60 psi)
1/4 in. BSP*	2B	100	6.9 bar (100 psi)
3/8 in. BSP*	3B	150	10.3 bar (150 psi)
1/2 in. BSP*	4B	200	13.8 bar (200 psi)
		270	18.3 bar (270 psi)
		Seals	
		N	Buna N (Std.)
		V	Fluorocarbon