

DESCRIPTION

A screw-in, cartridge-style, hydraulic check valve for use as a blocking or load-holding device.

OPERATION

The INC08-21 allows flow passage from ② to ①, while normally blocking oil flow in the opposite direction.

The cartridge has a fully guided poppet which is spring-biased closed until sufficient pressure is applied at ② to open to ①.

FEATURES

- Hardened seat for long life and low leakage.
- Fully guided poppet.
- Compact size.

RATINGS

Operating Pressure:240 bar (3500 psi)

Flow:See Performance Chart

Internal Leakage: 0.25 cc/minute (5 drops/minute) max. at 240 bar (3500 psi)

Crack Pressure Defined:Gauge psi evident at 1 at 16.4 cc/minute (1 cu. in./minute) attained

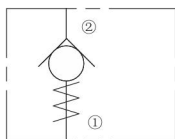
Standard Bias Springs at Crack:2.1 bar (30 psi) nominal. Actual cracking pressure may vary from 1.9 to 2.8 bar (27 to 40 psi); valves which are not actuated for a period of time may initially crack at higher than subsequent cracking pressures.

Temperature:-40°C ~ 120°C

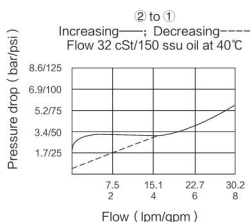
Fluids:Mineral-based or synthetics with lubricating properties at viscosities of 7.4 to 420 cSt (50 to 2000 ssu)

Cavity:T08-2E; See bottom of this catalog.

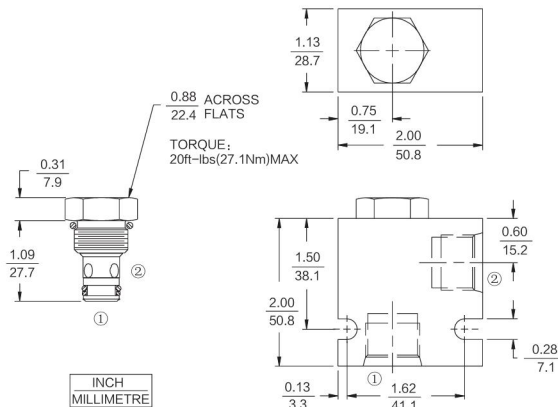
ISO SYMBOL



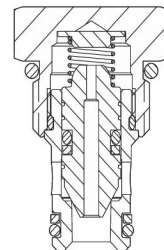
PERFORMANCE (Cartridge Only)



DIMENSIONS



BSP BODY-55.9



MATERIALS

Cartridge Weight:0.05 kg (0.12 lbs) ;
Steel with hardened work surfaces.
Zinc-plated exposed surfaces.
Buna N O-rings and back-up standard.

Standard Ported Body Weight:
0.16kg (0.35 lbs) ;
Anodized highstrength
6061 T6 aluminum alloy,
rated to 240 bar (3500 psi) ;
Ductile iron bodies available;
dimensions may differ.

TO ORDER

INC08-21 - 30

Porting		Bias Spring
Cartridge Only	0	30 2.07 bar (30 psi)
SAE 4	4T	
SAE 6	6T	
SAE 8	8T	
1/4 in. BSP*	2B	
3/8 in. BSP*	3B	
1/2 in. BSP*	4B	

Seals
N Buna N (Std.)
V Fluorocarbon