

DESCRIPTION

A screw-in, cartridge-style, hydraulic check valve for use as a blocking or load-holding device.

OPERATION

The INCV10-20 allows flow passage from ① to ②, while normally blocking oil flow in the opposite direction. The cartridge has a fully guided check which is spring-biased closed until sufficient pressure is applied at ① to open to ②.

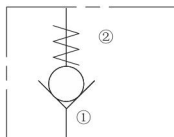
FEATURES

- Hardened seat for long life and low leakage.
- Optional bias springs for back-pressure application flexibility.
- Fully guided check assembly.
- Industry common cavity.

RATINGS

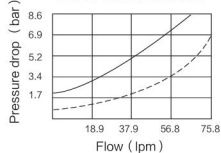
Operating Pressure:240 bar
Proof Pressure: 350 bar
Flow Rating:See Performance Chart
Internal Leakage: 0.10 ml/minute (2 drops/minute) max. at 240 bar (3500 psi)
Crack Pressure Defined:Gauge psi evident at 1 at 16.4 cc/minute (1 cu. in./minute) attained
Standard Bias Springs at Crack:0.34 bar; 1 bar; 2.1 bar; 4.8 bar; 6.9 bar
Temperature:-40°C ~ 120°C
Fluids:Mineral-based or synthetics with lubricating properties at viscosities of 7.4 to 420 cSt (50 to 2000 ssu)
Cavity:T10-2B; See bottom of this catalog.
Standard Ported Body: Anodized highstrength 6061 T6 aluminum alloy, rated to 420 bar (3500 psi). Steel rated at 420 bar (6090psi) .

ISO SYMBOL

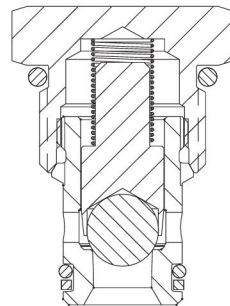
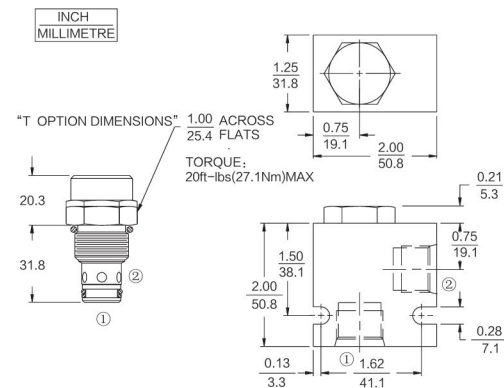


PERFORMANCE (Cartridge Only)

Pressure Drop vs. Flow - Port ① to ②
 with 2.1 bar/30 psi spring
 with 0.34 bar/5 psi spring
 32 cSt/150 ssu oil at 40°C



DIMENSIONS



BSP BODY-55.9

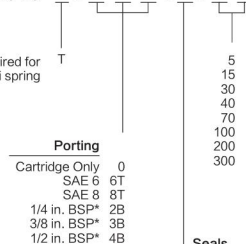
MATERIALS

Cartridge: Weight:0.08 kg (0.17 lbs) ;
 Buna N O-rings and back-up standard.
Standard Ported Body:Weight:
 0.43kg (0.95 lbs) ;
 Steel with hardened work surfaces.
 Zinc-plated exposed surfaces.
 rated to 345 bar (3500 psi) ;
 Ductile iron bodies available;
 dimensions may differ.

TO ORDER

INCV10-20

*Required for 300 psi spring



Seals
 N Buna N (Std.)
 V Fluorocarbon