

DESCRIPTION

A screw-in, cartridge-style, hydraulic check valve for use as a blocking or load-holding device.

OPERATION

INCV10-24 allows flow passage from ② to ①, while normally blocking oil flow in the opposite direction. The cartridge has a fully guided check which is spring-biased closed until sufficient pressure is applied at ② to open to ①.

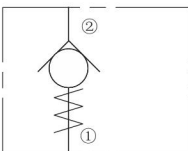
FEATURES

- Low check mass for anti-cavitation applications.
- Hardened seat for long life and low leakage.
- Optional bias springs for back-pressure application flexibility.
- Industry common cavity.

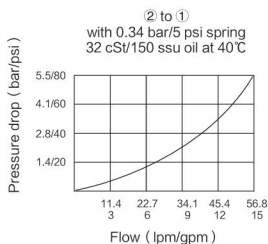
RATINGS

Operating Pressure: 240 bar (3500 psi)
Proof Pressure: 420 bar (6090 psi)
Flow: See Performance Chart
Internal Leakage: 0.25 cc/minute (5 drops/minute) max. at 207 bar (3000 psi)
Crack Pressure Defined: Gauge psi evident at 2 at 16.4 cc/minute (1 cu. in./minute) attained at 1
Standard Bias Springs at Crack:
 0.35 bar (5 psi) ; 1.7 bar (25 psi) ; 3.8 bar (55 psi)
Temperature: -40°C ~ 120°C
Fluids: Mineral-based or synthetics with lubricating properties at viscosities of 7.4 to 420 cSt (50 to 2000 ssu)
Cavity: T10-2B; See bottom of this catalog.

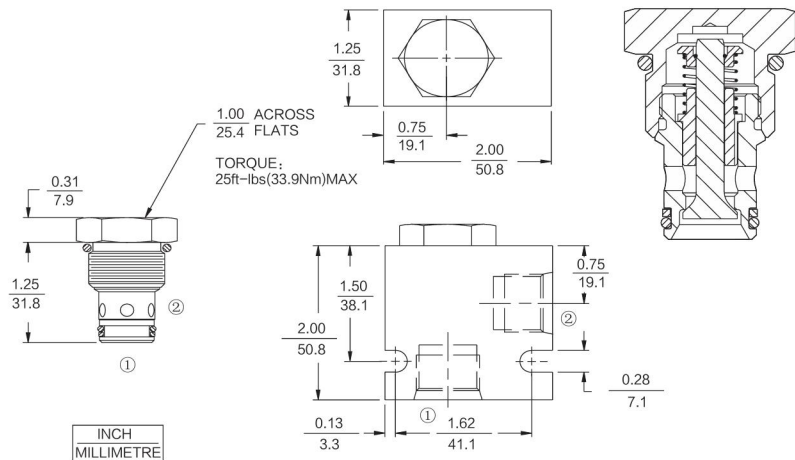
ISO SYMBOL



PERFORMANCE (Cartridge Only)



DIMENSIONS



BSP BODY-55.9

MATERIALS

Cartridge: Weight: 0.08 kg (0.17 lbs) ;
 Steel with hardened work surfaces.
 Zinc-plated exposed surfaces.
 Buna N O-rings and polyester elastomer back-ups standard.

Standard Ported Body: Weight:
 0.16kg (0.35 lbs) ;
 Anodized highstrength 6061 T6 aluminum alloy, rated to 240 bar (3500 psi) ;
 Ductile iron bodies available; dimensions may differ.

TO ORDER

INCV10-24		Bias Spring	
Porting			
Cartridge Only	0		05 0.34 bar (5 psi)
SAE 6	6T		
SAE 8	8T		
1/4 in. BSP*	2B		
3/8 in. BSP*	3B		
1/2 in. BSP*	4B		
Seals			
N Buna N (Std.)			
V Fluorocarbon			