

**DESCRIPTION**

A screw-in, cartridge-style, hydraulic check valve for use as a blocking or load-holding device.

**OPERATION**

The INC12-20 allows flow passage from ① to ②, while normally blocking oil flow in the opposite direction. The cartridge has a fully guided check which is spring-biased closed until sufficient pressure is applied at ① to open to ②.

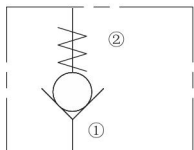
**FEATURES**

- Hardened seat for long life and low leakage.
- Optional bias springs for back-pressure application flexibility.
- Fully guided check assembly.
- Cost-effective cavity.

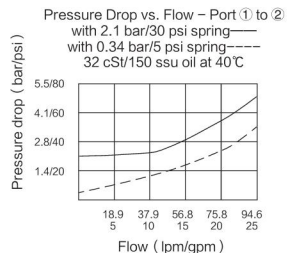
**RATINGS**

**Operating Pressure:** 240 bar (3500 psi)  
**Proof Pressure:** 420 bar (6090 psi)  
**Flow:** See Performance Chart  
**Internal Leakage:** 0.25 ml/minute (5 drops/minute) max. at 240 bar (3500 psi)  
**Crack Pressure Defined:** Gauge psi evident at 1 at 16.4 cc/minute (1 cu. in./minute) attained  
**Standard Bias Springs at Crack:** 0.34 bar (5 psi) ; 1.7 bar (25 psi) ; 4.1 bar (60 psi)  
**Temperature:** -40°C ~ 120°C  
**Fluids:** Mineral-based or synthetics with lubricating properties at viscosities of 7.4 to 420 cSt (50 to 2000 ssu)  
**Cavity:** T12-2A; See bottom of this catalog.

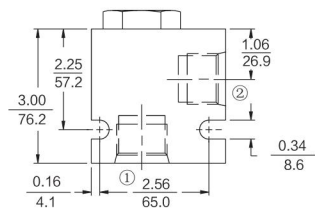
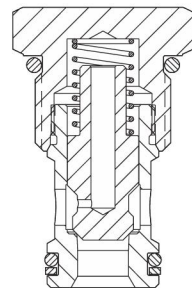
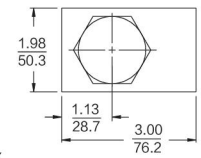
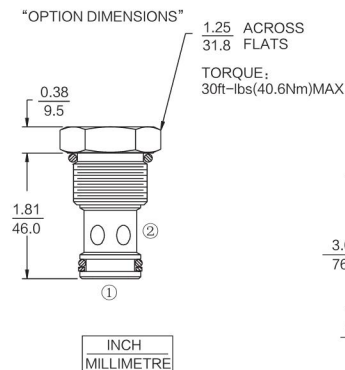
**ISO SYMBOL**



**PERFORMANCE (Cartridge Only)**



**DIMENSIONS**



BSP BODY-55.9

**MATERIALS**

**Cartridge: Weight:** 0.15 kg (0.40 lbs) ; Steel with hardened work surfaces. Zinc-plated exposed surfaces. Buna N O-rings and back-up standard.  
**Standard Ported Body: Weight:** 0.57kg (1.25 lbs) ; Anodized highstrength 6061 T6 aluminum alloy, rated to 240 bar (3500 psi) ; Ductile iron bodies available; dimensions may differ.

**TO ORDER**

INC12- 20 - - -

Porting		Bias Spring	
Cartridge Only	0	5	0.34 bar (5 psi)
SAE 10	10T	25	1.7 bar (25 psi)
SAE 12	12T	30	2.1 bar (30 psi)
SAE 16	16T	60	4.1 bar (60 psi)

**Seals**

N Buna N (Std.)  
 V Fluorocarbon