

DESCRIPTION

A screw-in, cartridge-style, hydraulic check valve for use as a blocking or load-holding device.

OPERATION

The INCV12-21 allows flow passage from ② to ①, while normally blocking oil flow in the opposite direction. The cartridge has a fully guided check which is spring-biased closed until sufficient pressure is applied at ② to open to ①.

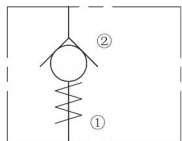
FEATURES

- Low check mass for anti-cavitation applications.
- Hardened seat for long life and low leakage.
- Optional bias springs for back-pressure application flexibility.
- Cost-effective cavity.

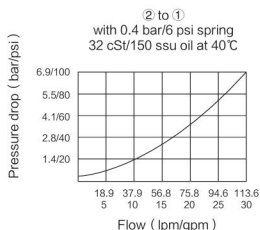
RATINGS

Operating Pressure:240 bar (3500 psi)
Flow:See Performance Chart
Internal Leakage:0.25 cc/minute (5 drops/minute) max. at 240 bar (3500 psi)
Crack Pressure Defined:Gauge psi evident at 2 at 16.4 cc/minute (1 cu. in./minute)attained at 1
Standard Bias Springs at Crack:
 0.4 bar (6 psi) ; 1.8 bar (26 psi) ; 3.8 bar (56 psi)
Temperature:-40°C ~ 120°C
Fluids:Mineral-based or synthetics with lubricating properties at viscosities of 7.4 to 420 cSt (50 to 2000 ssu)
Cavity:T12-2A; See bottom of this catalog.

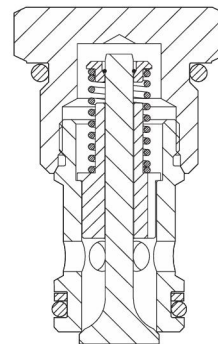
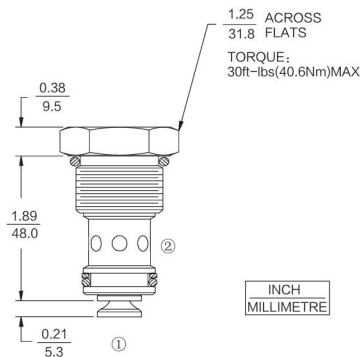
ISO SYMBOL



PERFORMANCE (Cartridge Only)



DIMENSIONS



ORIFICE DISCS WAY NOT BE USED WITH THIS PRODUCT

MATERIALS

Cartridge: Weight:0.08 kg (0.17 lbs) ;
 Steel with hardened work surfaces.
 Zinc-plated exposed surfaces.
 Buna N O-rings and back-up standard.
Standard Ported Body:Weight:
 0.16kg (0.35 lbs) ;
 Anodized highstrength
 6061 T6 aluminum alloy,
 rated to 240 bar (3500 psi) ;
 Ductile iron bodies available;
 dimensions may differ.

TO ORDER

