

DESCRIPTION

A screw-in, cartridge-style, hydraulic check valve for use as a blocking or load-holding device.

OPERATION

The INCV16-20 allows flow passage from ① to ②, while normally blocking oil flow in the opposite direction. The cartridge has a fully guided check which is spring-biased closed until sufficient pressure is applied at ① to open to ②.

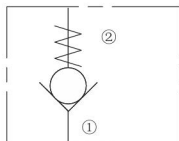
FEATURES

- Hardened seat for long life and low leakage.
- Optional bias springs for back-pressure application flexibility.
- Industry common cavity.

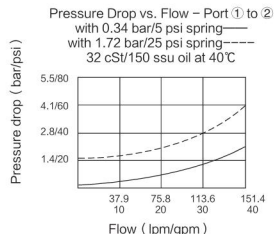
RATINGS

Operating Pressure: 240 bar (3500 psi)
Proof Pressure: 350 bar (5075 psi)
Flow: See Performance Chart
Internal Leakage: 0.25 ml/minute (5 drops/minute) max. at 240 bar (3500 psi)
Crack Pressure Defined: Gauge psi evident at 1 at 16.4 cc/minute (1 cu. in./minute) attained
Standard Bias Springs at Crack: 0.35 bar (5 psi) ; 1.7 bar (25 psi) ; 4.1 bar (60 psi)
Temperature: -40°C ~ 120°C
Fluids: Mineral-based or synthetics with lubricating properties at viscosities of 7.4 to 420 cSt (50 to 2000 ssu);
Cavity: T16-2A; See bottom of this catalog.

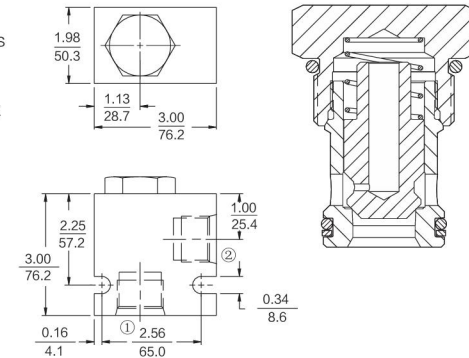
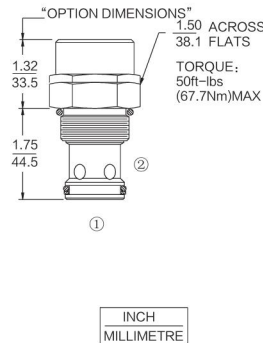
ISO SYMBOL



PERFORMANCE (Cartridge Only)



DIMENSIONS



MATERIALS

Cartridge: Weight: 0.29 kg (0.63 lbs) ; Steel with hardened work surfaces. Zinc-plated exposed surfaces. Buna N O-rings and back-up standard.
Standard Ported Body: Weight: 0.57kg (1.25 lbs) ; Anodized highstrength 6061 T6 aluminum alloy, rated to 240 bar (3500 psi) ; Ductile iron bodies available; dimensions may differ.

TO ORDER

INCV16-20		Bias Spring	
"T" Option	T	5	0.35 bar (5 psi)
*100 or 150psi spring.		25	1.7 bar (25 psi)
		60	4.1 bar (60 psi)
		100	6.9 bar (100 psi)
			*Requires "T" Option
Porting		Seals	
Cartridge Only	0	N	Buna N (Std.)
SAE 12	12T	V	Fluorocarbon
SAE 16	16T		
3/4 in. BSP*	6B		
1 in. BSP*	8B		