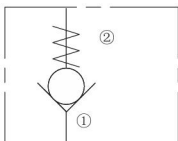
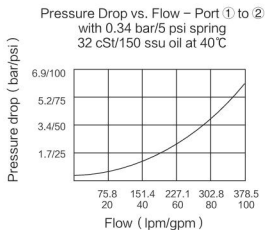


ISO SYMBOL



PERFORMANCE (Cartridge Only)



DESCRIPTION

A screw-in, cartridge-style, hydraulic check valve for use as a blocking or load-holding device.

OPERATION

INCV42-M20 allows flow passage from ① to ②, while normally blocking oil flow in the opposite direction. The cartridge has a fully guided check which is spring-biased closed until sufficient pressure is applied at ① to open to ②.

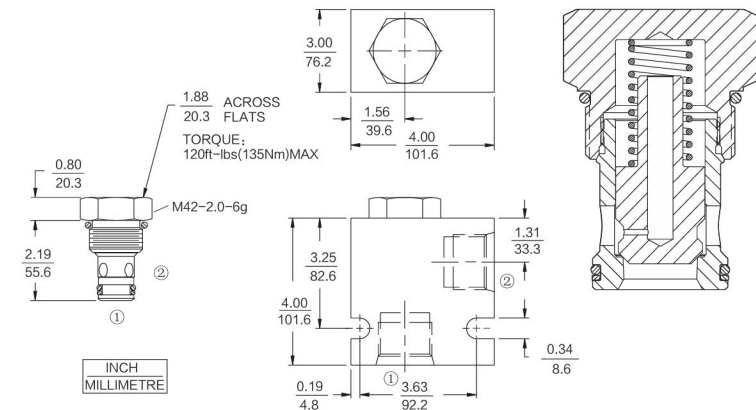
FEATURES

- Hardened seat for long life and low leakage.
- Optional bias springs for back-pressure application flexibility.
- Conforms to ISO 7789 cavity.

RATINGS

- Operating Pressure:** 240 bar (3500 psi)
- Proof Pressure:** 350 bar (5075 psi)
- Flow:** See Performance Chart
- Internal Leakage:** 0.25 cc/minute (5 drops/minute) max. at 240 bar (3500 psi)
- Crack Pressure Defined:** Gauge psi evident at 1 at 16.4 cc/minute (1 cu. in./minute) attained
- Standard Bias Springs at Crack:** 0.35 bar (5 psi) ; 1.7 bar (25 psi) ; 4.1 bar (60 psi)
- Temperature:** -40°C ~ 120°C
- Fluids:** Mineral-based or synthetics with lubricating properties at viscosities of 7.4 to 420 cSt (50 to 2000 ssu)
- Cavity:** T42-2A; See bottom of this catalog.

DIMENSIONS



MATERIALS

- Cartridge:** Weight: 0.43 kg (0.95 lbs) ; Steel with hardened work surfaces. Zinc-plated exposed surfaces. Buna N O-rings and back-up standard.
- Standard Ported Body:** Weight: 1.63kg (3.60 lbs) ; Anodized highstrength 6061 T6 aluminum alloy, rated to 240 bar (3500 psi) ; Ductile iron bodies available; dimensions may differ.

TO ORDER

