

DESCRIPTION

A spool-type, screw-in, cartridge-style, hydraulic directional element, with multi-function potential when used with other directional, pressure, or flow control devices.

OPERATION

INEP10-S35 is a spring-biased blocking valve which will shift to allow full flow from ① to ② only when pressure at ① exceeds the cumulative pressure of ③, plus the bias spring pressure value.

INEP10-S35 is a pilot-to-close directional valve.

With no pressure at ③, flow will be allowed from ① to ② once the bias spring force is overcome with pressure at ①.

FEATURES

- Multiple function/application potential.
- Low pressure drop.
- Industry common cavity.

RATINGS

Operating Pressure:

350 bar (5000 psi) cartridge; 240 bar (3500 psi) standard aluminum housing; 350 bar (5000psi) ductile iron housing.

Flow: See Performance Chart

Internal Leakage:

164 ml per minute (10 cu. in. per minute) at 207 bar (3000 psi)

Bias Spring:

- 0.7 bar (10 psi)
- 2.8 bar (40 psi)
- 5.5 bar (80 psi)
- 7.6 bar (110 psi)
- 11.0 bar (160 psi)

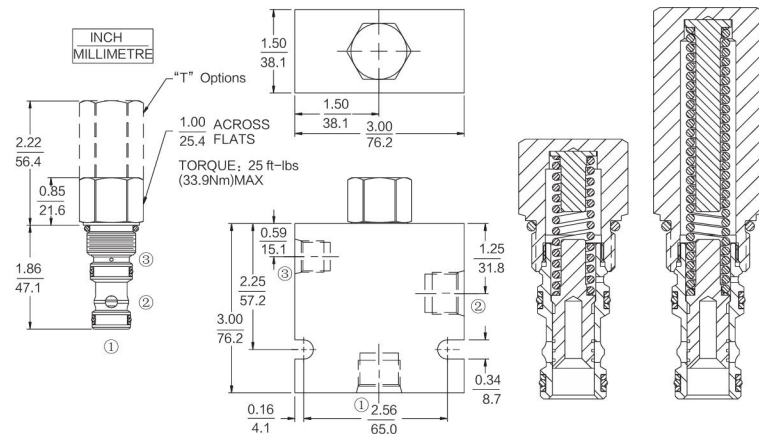
note: Tall Cap Options available with 11.0 bar (160 psi) spring

Temperature: -40°C ~ 120°C (with Buna N seals)

Fluids: Mineral-based or synthetics with lubricating properties at viscosities of 7.4 to 420 cSt (50 to 2000 ssu)

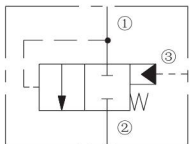
Cavity: T10-3AS; See bottom of this catalog.

DIMENSIONS



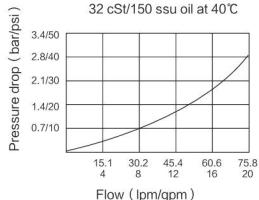
ORIFICE DISCS WAY NOT BE USED WITH THIS PRODUCT

ISO SYMBOL



PERFORMANCE (Cartridge Only)

① to ② or ② to ① (fully open)
32 cSt/150 ssu oil at 40°C



MATERIALS

Cartridge Weight: 0.15 kg (0.32 lbs) ;

- Steel with hardened work surfaces.
- Zinc-plated exposed surfaces.
- Buna N O-rings and polyester elastomer back-ups standard

Standard Ported Body Weight:

- 0.32 kg (0.70 lbs) ;
- Anodized highstrength aluminum alloy, rated to 240 bar (3500 psi). Ductile iron (8TD) bodies are available for pressures up to 350 bar (5000 psi);
- Weight and dimensions may differ.

TO ORDER

INEP10-S35

Options
None (Blank)
Tall Cap T

Porting
Cartridge Only 0
SAE 8* 8T
SAE 8* 8TS
SAE 8* 8TD
SAE 10* 10T
SAE 12* 12T

Bias Spring
10 0.7 bar (10 psi)
40 2.8 bar (40 psi)
80 5.52 bar (80 psi)
110 7.6 bar (110 psi)
160 11.0 bar (160 psi)
230 15.9 bar (230 psi)

↑ T Option required

Seals

- N Buna N (Std.)
- V Fluorocarbon
- P Polyurethane (required for pressures over 240 bar/3500 psi)