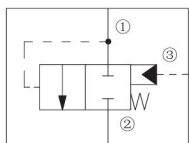
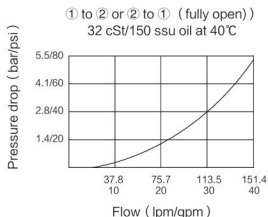


ISO SYMBOL



PERFORMANCE (Cartridge Only)



DESCRIPTION

A spool-type, screw-in, cartridge-style, hydraulic directional element, with multi-function potential when used with other directional, pressure, or flow control devices.

OPERATION

INEP12-S35 is a spring-biased blocking valve which will shift to allow full flow from ① to ② only when pressure at ① exceeds the cumulative pressure of ③, plus the bias spring pressure value. INEP12-S35 is a pilot-to-close directional valve. With no pressure at ③, flow will be allowed from ① to ② once the bias spring force is overcome with pressure at 1.

FEATURES

- Multiple function/application potential.
- Low pressure drop.
- Industry common cavity.
- Manual override option available with 80 psi spring only.

RATINGS

Operating Pressure:

350 bar (5000 psi) cartridge;
standard aluminum housing 240 bar (3500psi)

Flow: See Performance Chart

Internal Leakage:

131 ml per minute (8 cu. in. per minute) at 350 bar (5000 psi)

Bias Spring:

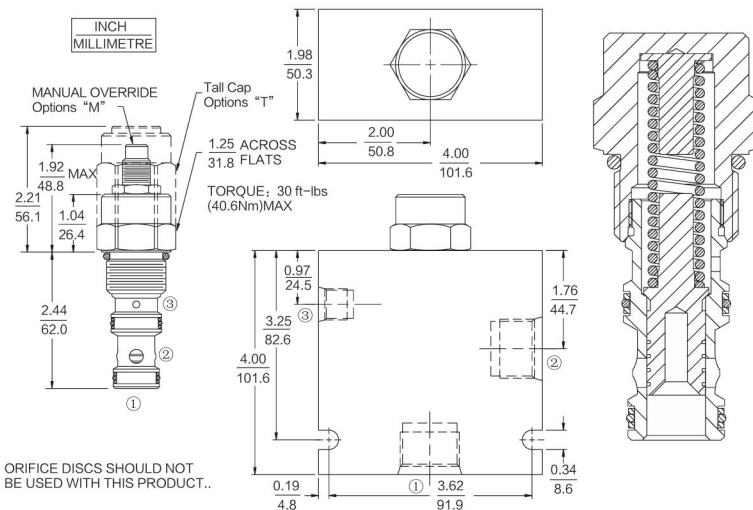
7.0 bar (100 psi)
11.0 bar (160 psi), Tall Cap Required
16.5 bar (240 psi), Tall Cap Required

Temperature: -40°C ~ 120°C (with Buna N seals)

Fluids: Mineral-based or synthetics with lubricating properties at viscosities of 7.4 to 420 cSt (50 to 2000 ssu)

Cavity: T12-3AS; See bottom of this catalog.

DIMENSIONS



MATERIALS

Cartridge: Weight:

0.23 kg (0.5 lbs) ;
Steel with hardened work surfaces.
Zinc-plated exposed surfaces.
Buna N O-rings and polyester elastomer back-ups standard

Standard Ported Body: Weight:

1.13 kg (2.50 lbs) ;
Anodized highstrength aluminum alloy, rated to 207 bar (3000 psi).
Ductile iron bodies available; dimensions may differ.

TO ORDER

INEP12-S35

Options		Bias Spring	
None (Blank)	T	10 0.7 bar (10 psi)	
Tall Cap	T	80 5.5 bar (80 psi)	
Manual Override	M	100 7 bar (100 psi)	
		160 11 bar (160 psi)	
		240 16.5 bar (240 psi)	
		: T Option required	
Porting		Seals	
Cartridge Only	0	N Buna N (Std.)	
SAE 12"	12T	V Fluorocarbon	
*SAE 6 pilot port		P Polyurethane (Required for pressures over 240 bar/3500 psi)	