

DESCRIPTION

A dual pilot-operated check valve for use in blocking or load-holding circuits.

OPERATION

INDC08-40 will block flow from ① to ② and from ④ to ③. Flow is allowed in the opposite direction when pressure is applied to port ② and/or port ③.

The valve has a 3:1 pilot ratio, so at least 1/3 of the load pressure at port ① or ④ is required at the pilot lines (ports ② or ③) to open the flow passage to allow flow from ports ① or ④.

The check is spring-biased to assure holding in a static or no load condition.

Note: Orifice disc cannot be used with this product..

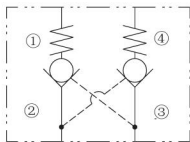
FEATURES

- Hardened seat for long life and low leakage.
- Low pressure drop..

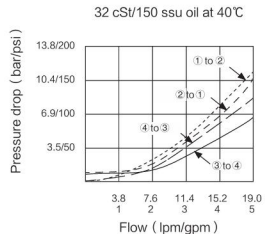
RATINGS

- Operating Pressure:** Inlet; 240 bar (3500 psi)
- Flow:** Rated Inlet Flow: 19 lpm (5 gpm); see performance chart
- Pilot Ratio:** 3:1
- Check Spring Bias:** 1.7 bar (25 psi); Optional 9.3 bar (135 psi)
- Internal Leakage:** 5 drops per minute (0.25 ml per minute) at (210 bar) 3000 psi
- Temperature:** -40°C ~ 120°C (with Buna N seals)
- Fluids:** Mineral-based or synthetics with lubricating properties at viscosities of 7.4 to 420 cSt (50 to 2000 ssu)
- Cavity:** T08-4A; See bottom of this catalog.

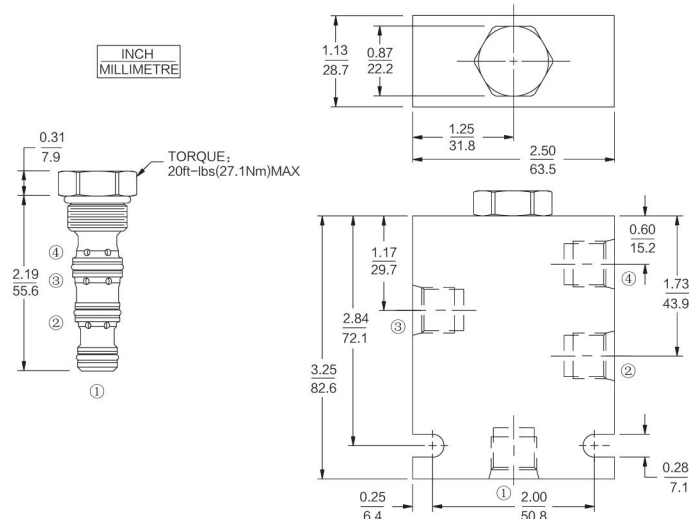
ISO SYMBOL



PERFORMANCE (Cartridge Only)



DIMENSIONS



MATERIALS

Cartridge: Weight:
 0.13 kg (0.28 lbs) ;
 Steel with hardened work surfaces.
 Zinc-plated exposed surfaces.
 Buna N O-rings and back-up standard.

Standard Ported Body:Weight:
 0.18kg (0.40 lbs) ;
 Anodized highstrength 6061 T6 aluminum alloy, rated to 240 bar (3500 psi) ;
 Ductile iron bodies available; dimensions may differ.

TO ORDER

INDC08-40		Bias Spring	
Porting		Seals	
Cartridge Only	0	25	1.7 bar (25 psi) Standard
SAE 6	6T	135	9.3 bar (135 psi) Optional
1/4 in. BSP*	2B		
3/8 in. BSP*	3B		
		Seals	
		N Buna N (Std.)	
		V Fluorocarbon	