

**DESCRIPTION**

A screw-in, cartridge-style, variable orifice, hydraulic flow control valve with reverse flow check.

**OPERATION**

The INFC08-20 increases its orifice value from fully closed to fully open with counterclockwise adjustment rotation.

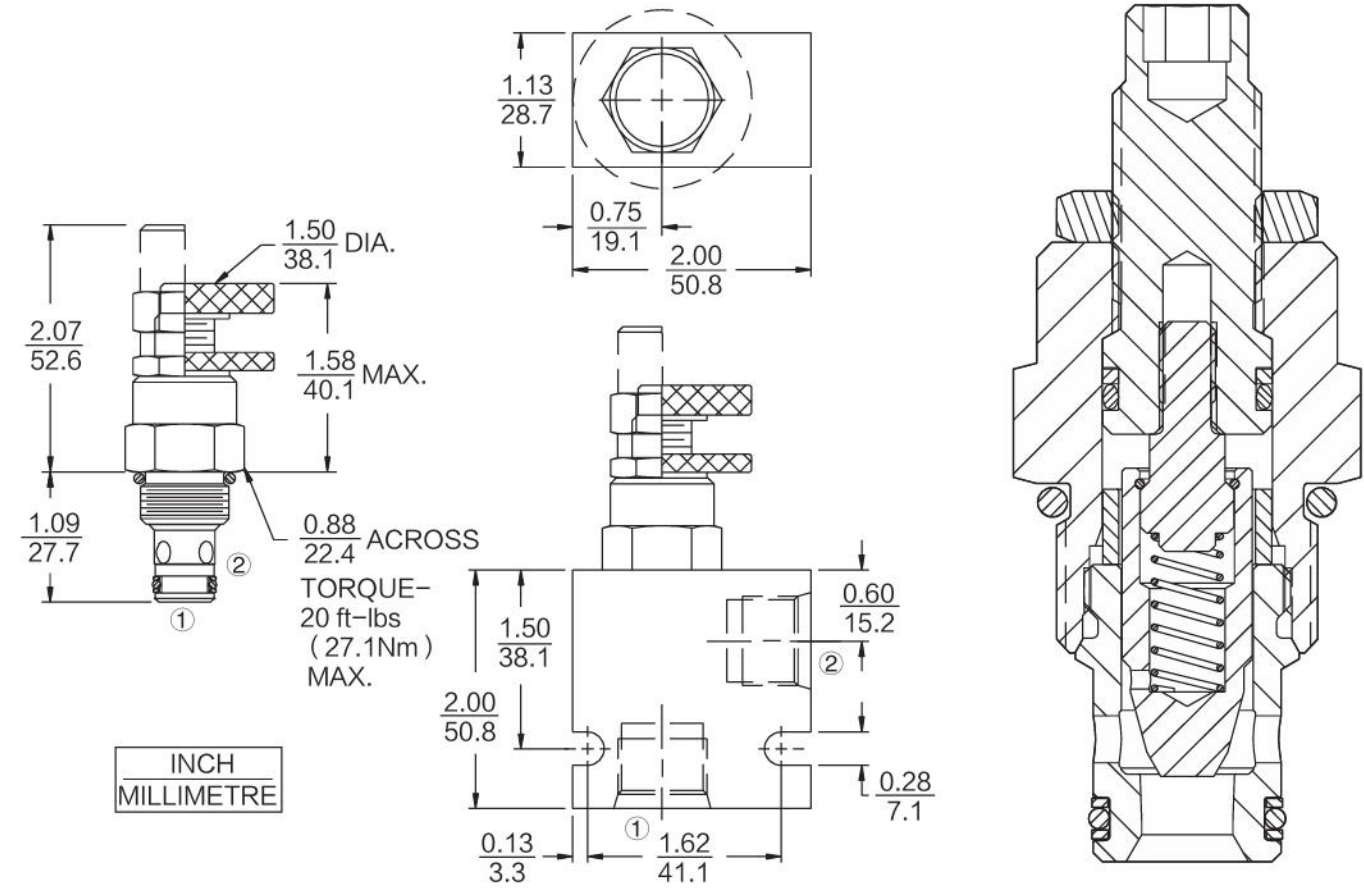
**FEATURES**

- Adjustments cannot be backed out of the valve.
- Desired settings may be locked down.
- Hardened parts for long life.
- Industry common cavity.
- Aluminum knob option.
- Positive shut-off.
- Linear adjustment.

**RATINGS**

**Operating Pressure:** 240 bar (3500 psi)  
**Flow:** 22.7 lpm (6gpm) nominal at 7 bar (100 psi) at full open 3.0 turns  
**Internal Leakage:** 0.50 cc/minute (10 drops/minute) max. at shut-off  
**Adjustment Torque Required:** 0.34 Nm (3 inch-pounds) at 7 bar (100 psi); 4.50 Nm (40 inch-pounds) at 207 bar (3000 psi)  
**Temperature:** -40 to 120° C  
**Fluids:** Mineral-based or synthetics with lubricating properties at viscosities of 7.4 to 420 cSt (50 to 2000 sus)  
**Cavity:** T08-2E; See bottom of this catalog.

**DIMENSIONS**



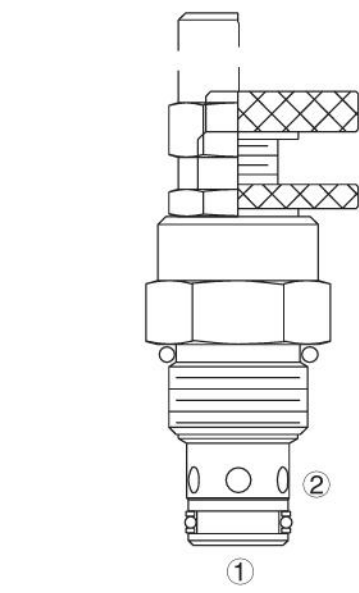
**MATERIALS**

**Cartridge: Weight:** 0.17 kg. (0.37 lbs.)  
 Steel with hardened work surfaces.  
 Zinc-plated exposed surfaces.  
 Buna N O-rings and polyester elastomer back-ups standard.  
 Anodized aluminum knobs.  
**Standard Ported Body: Weight:** 0.16 kg. (0.35 lbs.) Anodized highstrength 6061 T6 aluminum alloy, rated to 207 bar (3000 psi). Ductile iron bodies available; dimensions may differ.

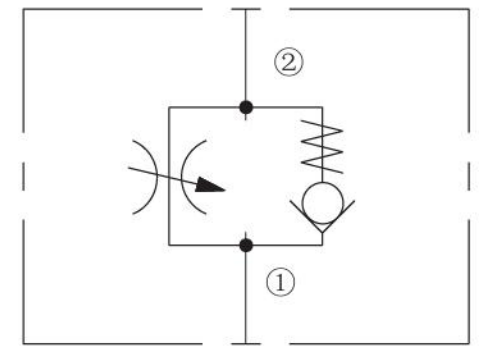
**TO ORDER**

INFC08-20		Seals	
Adjustment Option		Seals	
1/4 in. Hex Allen Head	A	N	Buna N (Std.)
1-1/2 in. Dia. Alum. Knob	B	V	Fluorocarbon
Option A with Cover Cap	C		
Top Knob with Lock Nut	D		
Top Knob Only	E		
Porting			
0	Cartridge Only		
6T	SAE 6		
8T	SAE 8		
2B	1/4 in. BSP*		
3B	3/8 in. BSP*		
4B	1/2 in. BSP*		

\*BSP Body; U.K. Mfr. Only



**ISO SYMBOL**



**PERFORMANCE (Cartridge Only)**

