

DESCRIPTION

A screw-in, cartridge-style, variable orifice, hydraulic flow control valve with reverse flow check.

OPERATION

The INFC10-20 increases its orifice value from fully closed to fully open with counter clockwise adjustment rotation.

FEATURES

- Adjustments cannot be backed out of the valve.
- Desired settings may be locked down.
- Hardened parts for long life.
- Industry common cavity.
- Aluminum knob option.
- Positive shut-off..
- Linear adjustment.

RATINGS

Operating Pressure:240 bar (3500 psi)

Flow:
45 lpm (12 gpm) nominal at 7 bar (100 psi) at full open 3.0 turns

Internal Leakage:
0.50 cc/minute (10 drops/minute) max. at shut-off

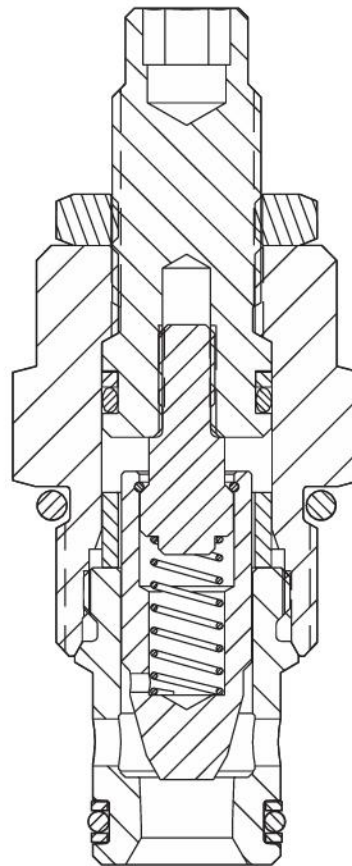
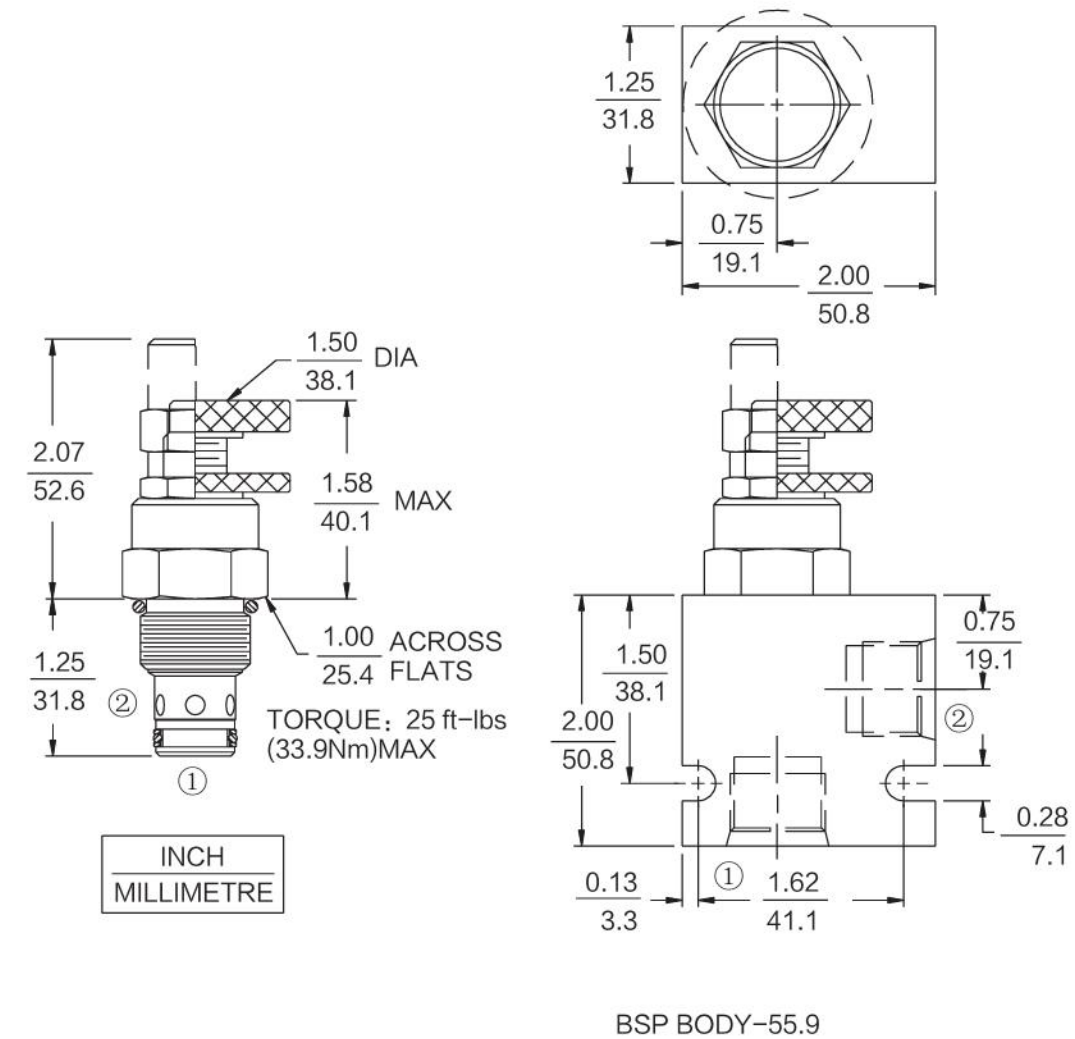
Adjustment Torque Required:
0.34 Nm (3 inch-pounds) at 7 bar (100 psi);
4.50 Nm (40 inch-pounds) at 207 bar (3000 psi)

Temperature:-40°C ~ 120°C

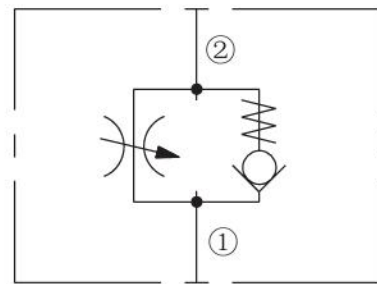
Fluids:Mineral-based or synthetics with lubricating properties at viscosities of 7.4 to 420 cSt (50 to 2000 ssu)

Cavity:T10-2B; See bottom of this catalog.

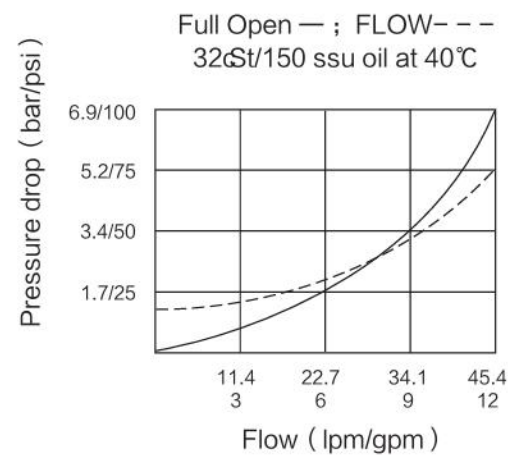
DIMENSIONS



ISO SYMBOL



PERFORMANCE (Cartridge Only)



MATERIALS

Cartridge: Weight:0.17kg (0.37lbs) ;
Steel with hardened work surfaces.
Zinc-plated exposed surfaces.
Buna N O-rings and polyester elastomer back-ups standard.
Anodized aluminum knobs.

Standard Ported Body:Weight:
0.16kg (0.35 lbs) ;
Anodized high-strength aluminum alloy, rated to 207 bar (3000 psi).
Ductile iron bodies available; dimensions may differ.

TO ORDER

