

DESCRIPTION

A screw-in, cartridge-style, variable orifice, hydraulic flow control valve with reverse flow check.

OPERATION

The INFC12-20 adjusts flow passage from ② to ① to full open with counterclockwise rotation.

The cartridge has a fully guided check which is spring-biased closed until sufficient pressure is applied at ① to open to ②.

FEATURES

- Adjustments cannot be backed out of the valve.
- Desired settings may be locked down.
- Hardened parts for long life.
- Aluminum knob option.
- Positive shut-off..
- Linear adjustment.

RATINGS

Operating Pressure:240 bar (3500 psi)

Flow:See Performance Chart

Internal Leakage:

0.15 ml/minute (3 drops/minute) max. at 240 bar (3500 psi)

Adjustment Torque Required:

7.0 bar (100 psi): 0.17 Nm (1.5 lb.-in.)

207 bar (3000 psi): 16.9 Nm (150 lb.-in.)

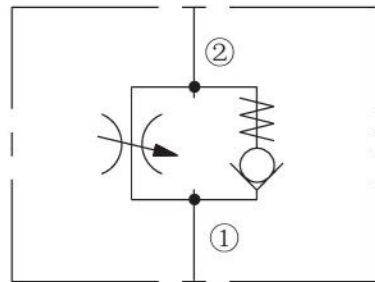
Bias Spring: 1.4 bar (20 psi)

Temperature:-40°C ~ 120°C

Fluids:Mineral-based or synthetics with lubricating properties at viscosities of 7.4 to 420 cSt (50 to 2000 ssu)

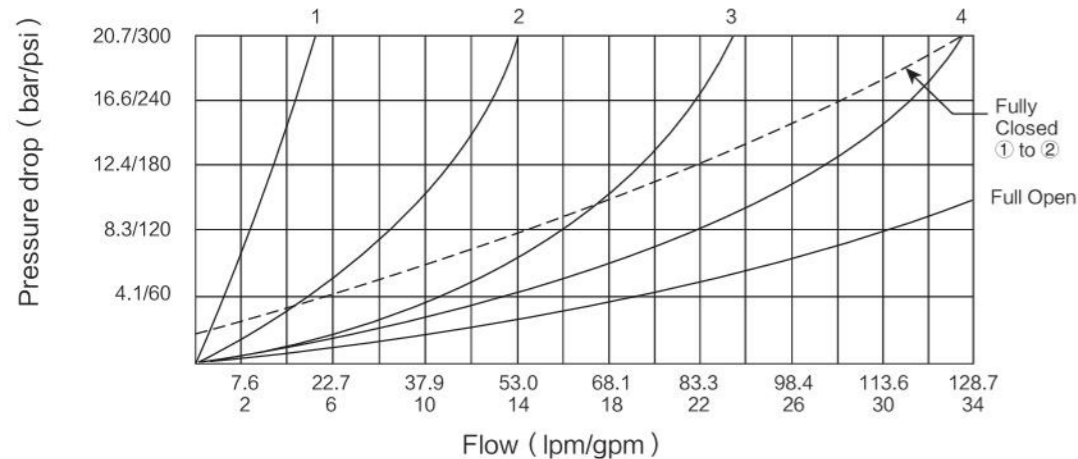
Cavity: T12-2A; See bottom of this catalog.

ISO SYMBOL

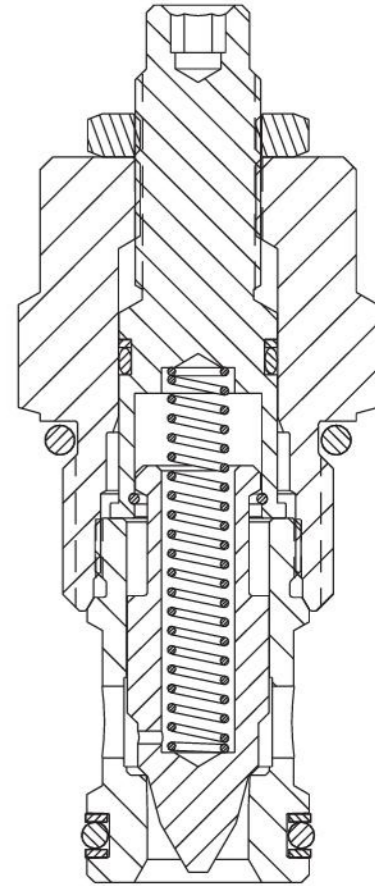
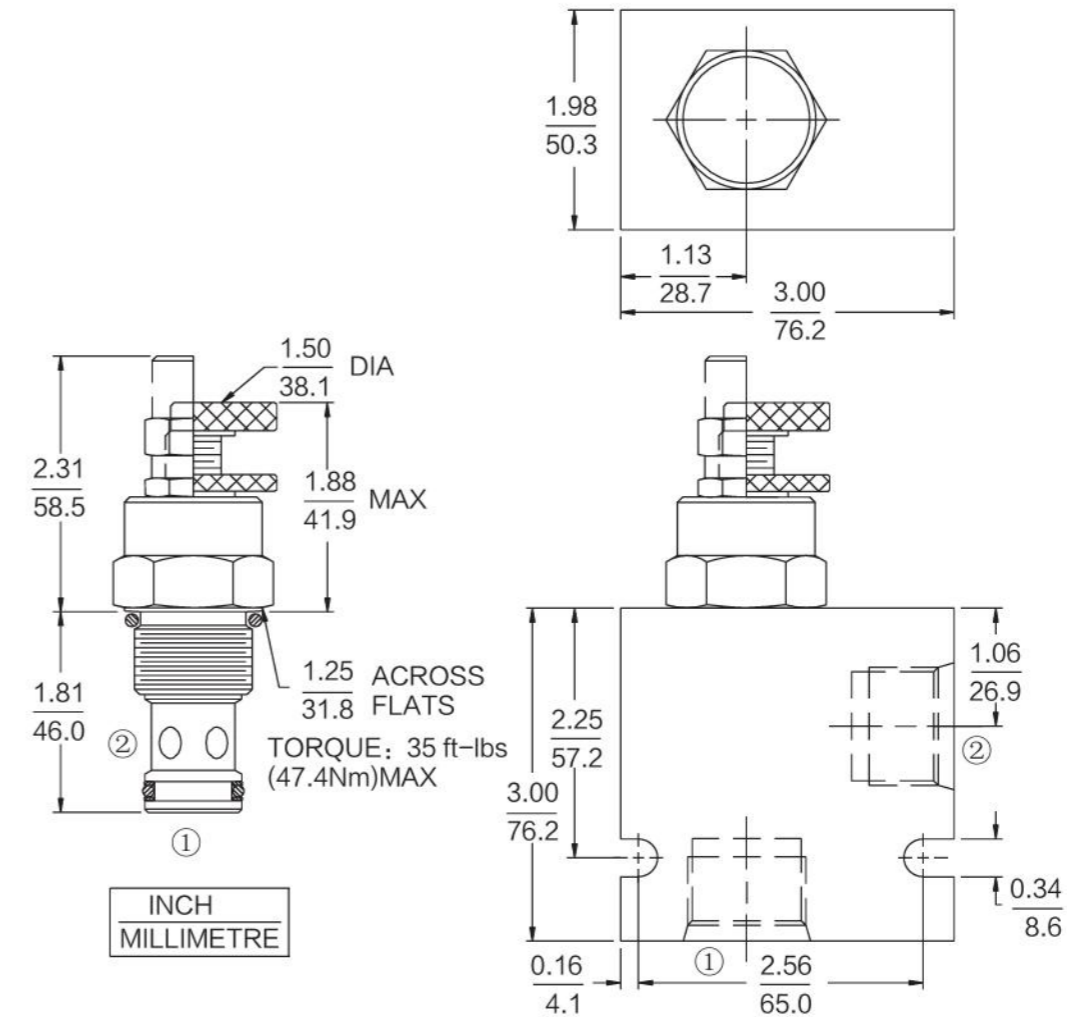


PERFORMANCE (Cartridge Only)

② to ① —; ① to ② - - -
32 cSt/150 ssu oil at 40°C



DIMENSIONS



MATERIALS

Cartridge: Weight:0.20kg (0.45lbs) ;
Steel with hardened work surfaces.
Zinc-plated exposed surfaces.
Buna N O-rings and polyester elastomer back-ups standard.

Standard Ported Body:Weight:
0.57kg (1.25 lbs) ;
Anodized highstrength 6061 T6 aluminum alloy, rated to 240 bar (3500 psi) ;
Ductile iron bodies available; dimensions may differ.

TO ORDER

INFC12-20

Adjustment Option

- A 1/4 in. Hex Allen Head
- B 1-1/2 in. Dia. Alum. Knobs
- C Option A with Cover Cap
- D Top Knob with Lock Nut
- E Top Knob Only

Seals

- N Buna N (Std.)
- V Fluorocarbon

Porting

- 0 Cartridge Only
- 10T SAE 10
- 12T SAE 12
- 16T SAE 16
- 4B 1/2 in. BSP*
- 6B 3/4 in. BSP*
- 8B 1 in. BSP*