

**DESCRIPTION**

A manually-adjustable variable orifice, offering linear control with adaptability to a variety of adjustment operators (ordered separately).

**OPERATION**

The INMR10-20, In extreme clockwise position, valve is fully closed (normally closed). Counterclockwise rotation of 180° gradually increases flow. The first 10° (approx.) of rotation is deadband. The last 15° of rotation increases flow very little. For a normally-open version with counterclockwise rotation gradually decreasing flow, consult factory.

NOTE: Use of the valve in the ① to ② direction is not recommended if the plastic knob operator is used. Because of the low effort (internal bearing used) adjustment, flow forces may cause setting change. The valve will operate ① to ② well with handle-type operator kits.

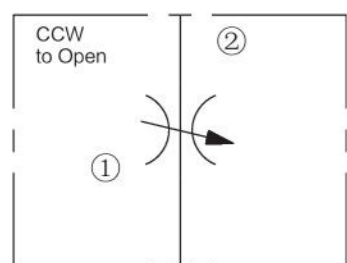
**FEATURES**

- Ten-position detent or infinite friction lock options.
- Good linearity in three flow range options.
- Adaptable to a variety of operators.
- Optional lock-down bracket.
- Heavy-duty construction.
- Low effort adjustment.
- Industry common cavity.

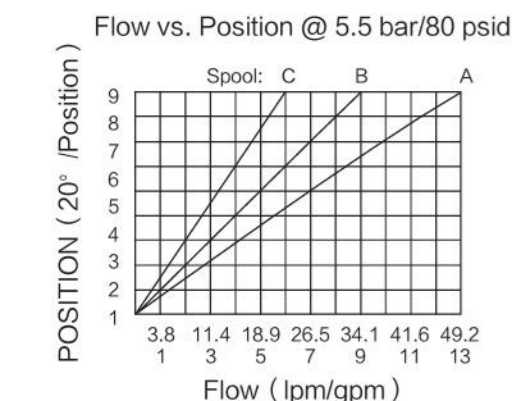
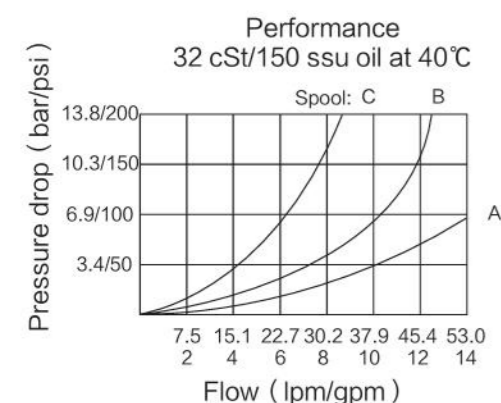
**RATINGS**

**Operating Pressure:**240 bar ( 3500 psi )  
**MAX.Flow:**See Performance Chart  
**Flow Rate Delivered at 5.5 bar (80 psi) Differential:**  
 Model Code Flow  
 A 49 lpm ( 13 gpm )  
 B 34 lpm ( 9 gpm )  
 C 22 lpm ( 6 gpm )  
**Internal Leakage:**164 cc/min. (10 cu. in.)  
**Adjustment Torque Required:**  
 7 bar (100 psi): 3.9 Nm (35 lb.-in.)  
 240 bar (3500 psi): 5.1 Nm (45 lb.-in.)  
**Temperature:**-40°C ~ 120°C ( with standard Buna N seals )  
**Fluids:**Mineral-based or synthetics with lubricating properties at viscosities of 7.4 to 420 cSt (50 to 2000 ssu)  
**Cavity:** T10-2B; See bottom of this catalog.

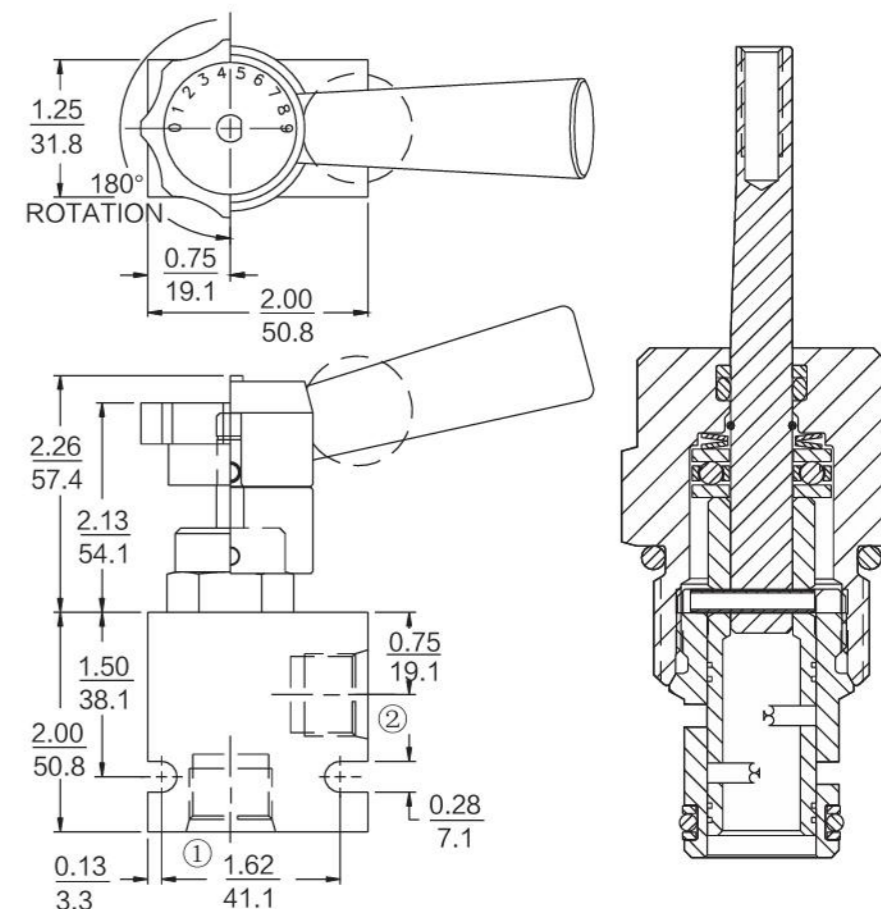
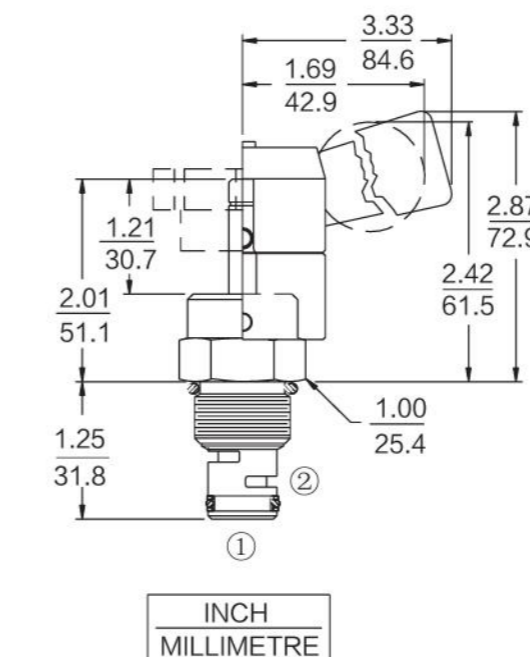
**ISO SYMBOL**



**PERFORMANCE (Cartridge Only)**



**DIMENSIONS**



BSP BODY-55.9

**MATERIALS**

**Cartridge: Weight:**0.12kg ( 0.26 lbs ) ;  
 Steel with hardened work surfaces.  
 Zinc-plated exposed surfaces.  
 Buna N O-rings and Fluorocarbon back-ups standard.

**Standard Ported Body:Weight:**

0.16kg ( 0.35 lbs ) ;  
 Anodized highstrength  
 6061 T6 aluminum alloy,  
 rated to 240 bar ( 3500 psi ) ;  
 Ductile iron bodies available;  
 dimensions may differ.

**Lever-Type Handle: Weight:**

0.18kg ( 0.38lbs )  
 Steel with hardened work surfaces.  
 Zinc-plated exposed surfaces.  
 Plastic lever arm.

**TO ORDER**

INMR10-20		Options		Seals	
		None (Blank)		N	Buna N (Std.)
				V	Fluorocarbon
<b>FLOW</b>		<b>Porting</b>			
49 lpm (13 gpm)	A	Cartridge Only		0	
34 lpm (9 gpm)	B		SAE 6	6T	
22 lpm (6 gpm)	C		SAE 8	8T	
			SAE 8	8TL	
		( Lock-Down Bracket )			
			1/4 in. BSP*	2B	
			3/8 in. BSP*	3B	
			1/2 in. BSP*	4B	