

DESCRIPTION

A screw-in, cartridge-style, variable orifice, hydraulic flow restrictor valve.

OPERATION

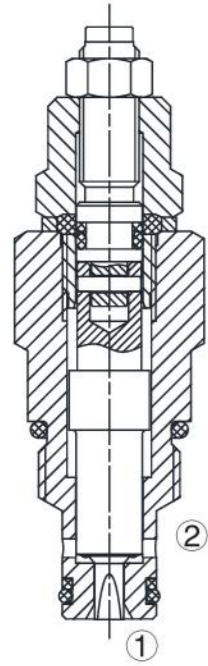
The INNV-08 increases its orifice value from fully closed to fully open with counterclockwise adjustment rotation.

FEATURES

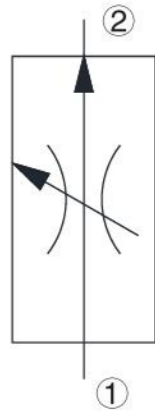
- Long life.
- Zero leakage can be realized when closing.
- Large adjustment range.
- Desired settings may be locked down.
- Can be completely shut down.
- Compact structure.
- Industry common cavity.

RATINGS

Operating Pressure: Cartridge:250 bar (3650 psi)
Flow: See performance chart Temperature: -30 to 120° C
Fluids: Mineral-based or synthetics with lubricating properties at viscosities of 7.4 to 420 cSt (50 to 2000 sus);
Cavity: T08-2E; See bottom of this catalog.

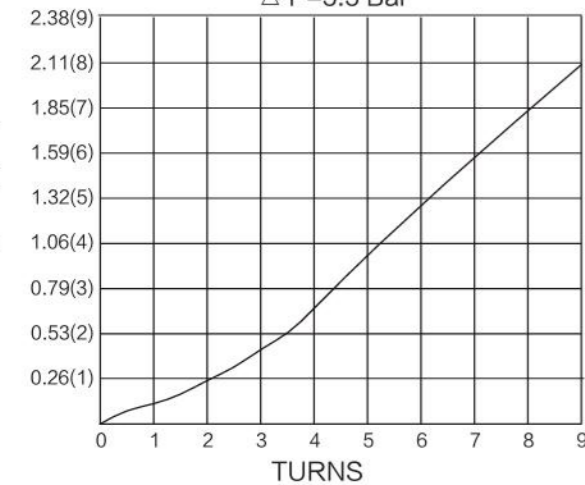


ISO SYMBOL

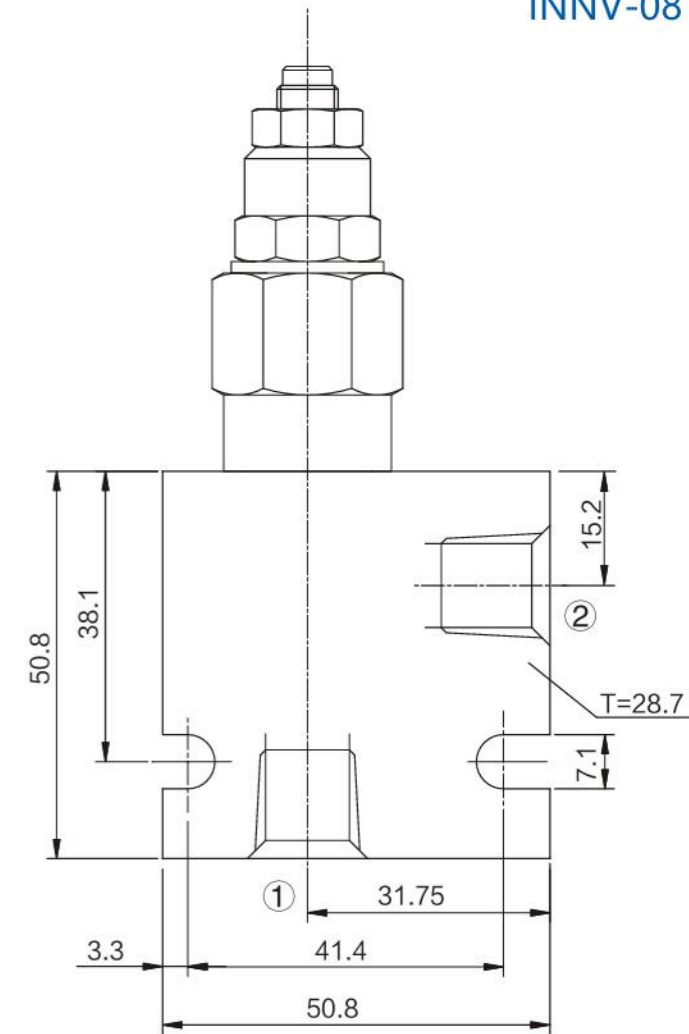
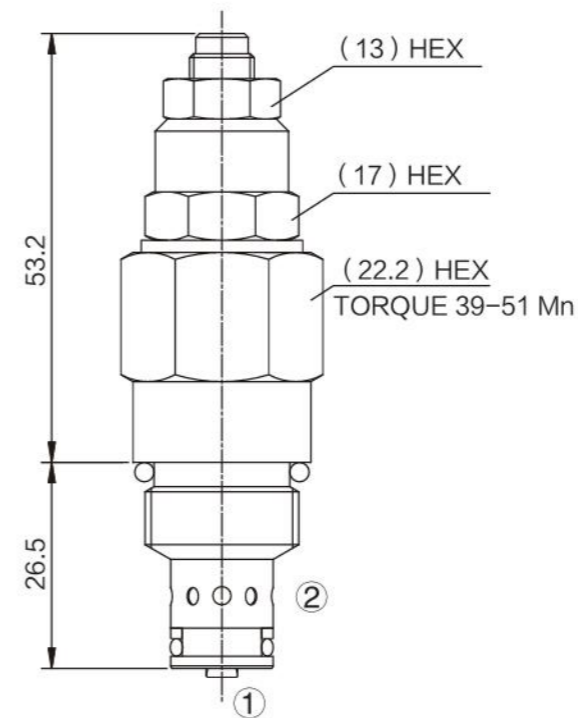


PERFORMANCE (Cartridge Only)

Full Open 2 to 1 or 1 to 2
 32 cSt/150 sus oil at 40° C
 Δ P=5.5 Bar



DIMENSIONS



MATERIALS

Cartridge: Weight: 0.23 kg. (0.50 lbs.)
 Steel with hardened work surfaces.
 Zinc-plated exposed surfaces.
 Buna N O-rings and polyester elastomer back-up standard;
 Anodized aluminum knobs.
Special Ported Body: Weight:
 0.16 kg. (0.35 lbs.) Anodized highstrength 6061 T6 aluminum alloy, rated to 207 bar (3000 psi).
 Ductile iron bodies available; dimensions may differ.

TO ORDER

INNV-08 -

Porting	
Cartridge Only	0
SAE 4	4T
SAE 6	6T
G1/4	2G
G3/8	3G