

**DESCRIPTION**

A screw-in, cartridge-style, variable orifice, hydraulic flow restrictor valve. It is intended for applications requiring fine adjustment over multiple turns.

**OPERATION**

The INN08-21 increases its orifice value from fully closed to fully open with adjustment rotation in the counterclockwise direction. Effective adjustment is linear to eight turns.

Note: This is intended as a low-effort adjustment suitable for operation through linkage. It may be unsuitable in environments where vibration is present.

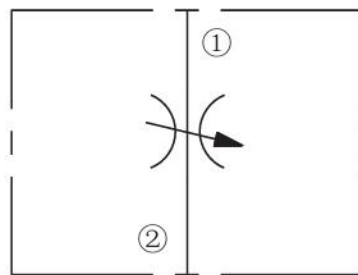
**FEATURES**

- Adjustments cannot be backed out of the valve.
- Hardened parts for long life.
- Industry common cavity.
- Fine/low effort adjustment.
- Positive shut-off..
- Linear adjustment.

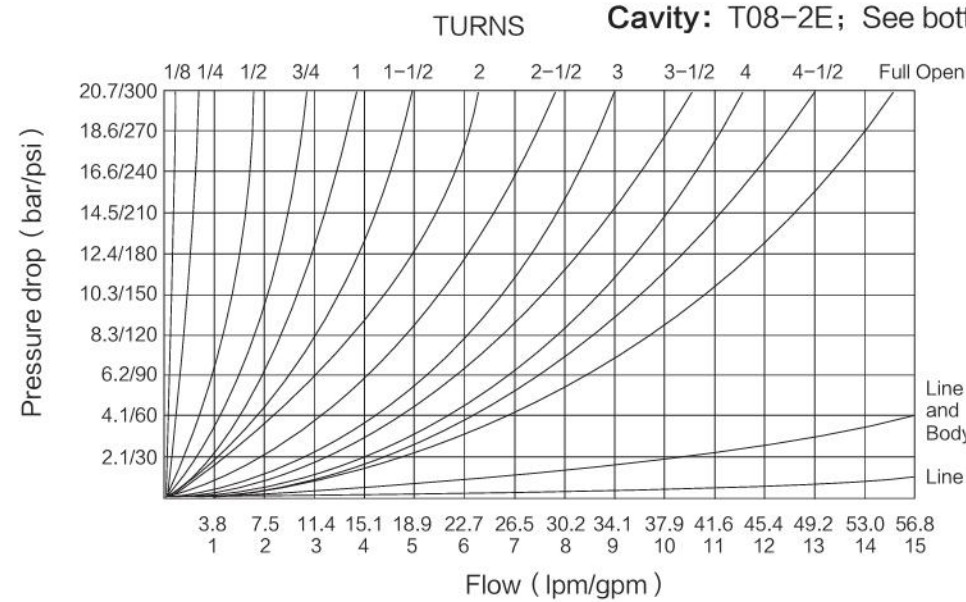
**RATINGS**

- Operating Pressure:** 240 bar ( 3500 psi )
- Flow:** See Performance Chart
- Internal Leakage:** 0.25 cc/minute (5 drop/minute) max. at shut-off
- Adjustment Torque Required:**  
0.34 Nm (3 inch-pounds) at 7 bar (100 psi);  
0.68 Nm(6 inch-pounds) at 207 bar (3000 psi)
- Temperature:** -40°C ~ 120°C
- Fluids:** Mineral-based or synthetics with lubricating properties at viscosities of 7.4 to 420 cSt (50 to 2000 ssu)
- Cavity:** T08-2E; See bottom of this catalog.

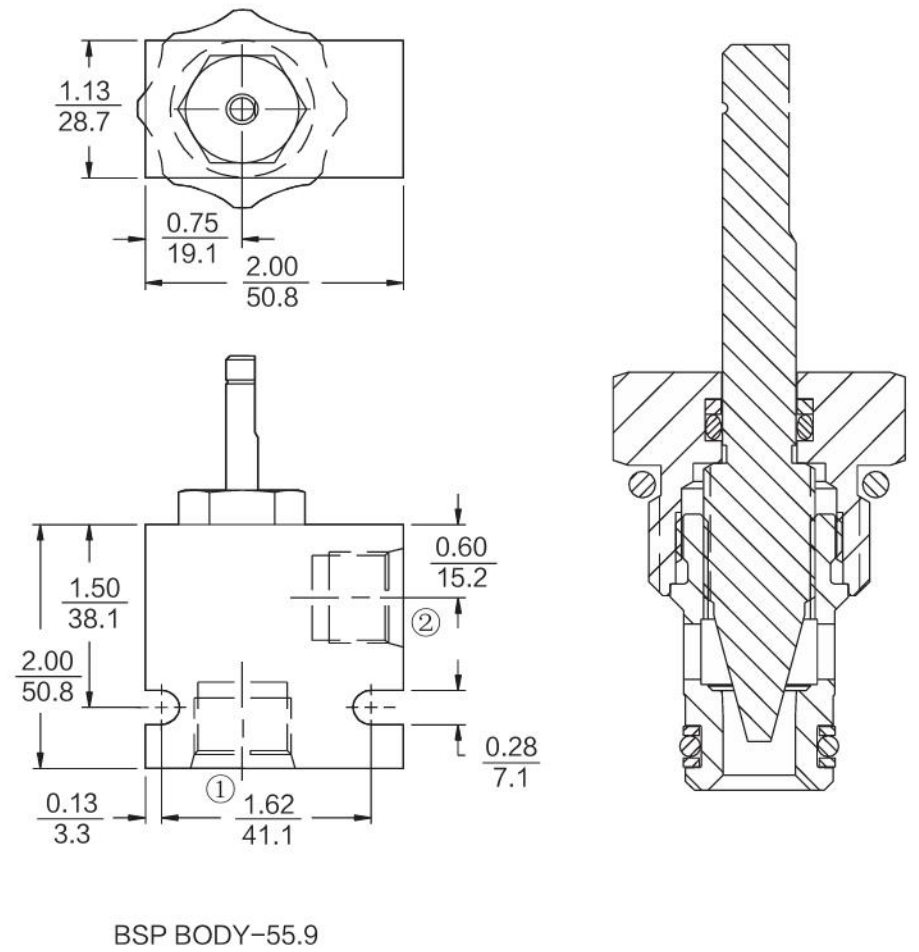
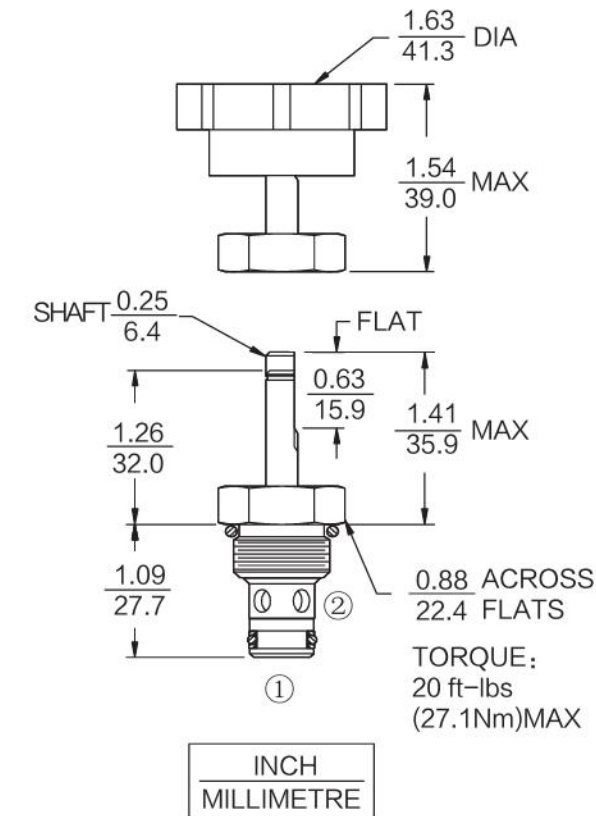
**ISO SYMBOL**



**PERFORMANCE (Cartridge Only)**



**DIMENSIONS**



**MATERIALS**

**Cartridge: Weight:** 0.14kg ( 0.23 lbs ) ;  
Steel with hardened work surfaces.  
Zinc-plated exposed surfaces.  
Buna N O-rings and polyester elastomer back-ups standard.  
Plastic knob with metal insert.

**Standard Ported Body: Weight:**  
0.16kg ( 0.35 lbs ) ;  
Anodized highstrength 6061 T6 aluminum alloy, rated to 240 bar ( 3500 psi ) ;  
Ductile iron bodies available; dimensions may differ.

**TO ORDER**

