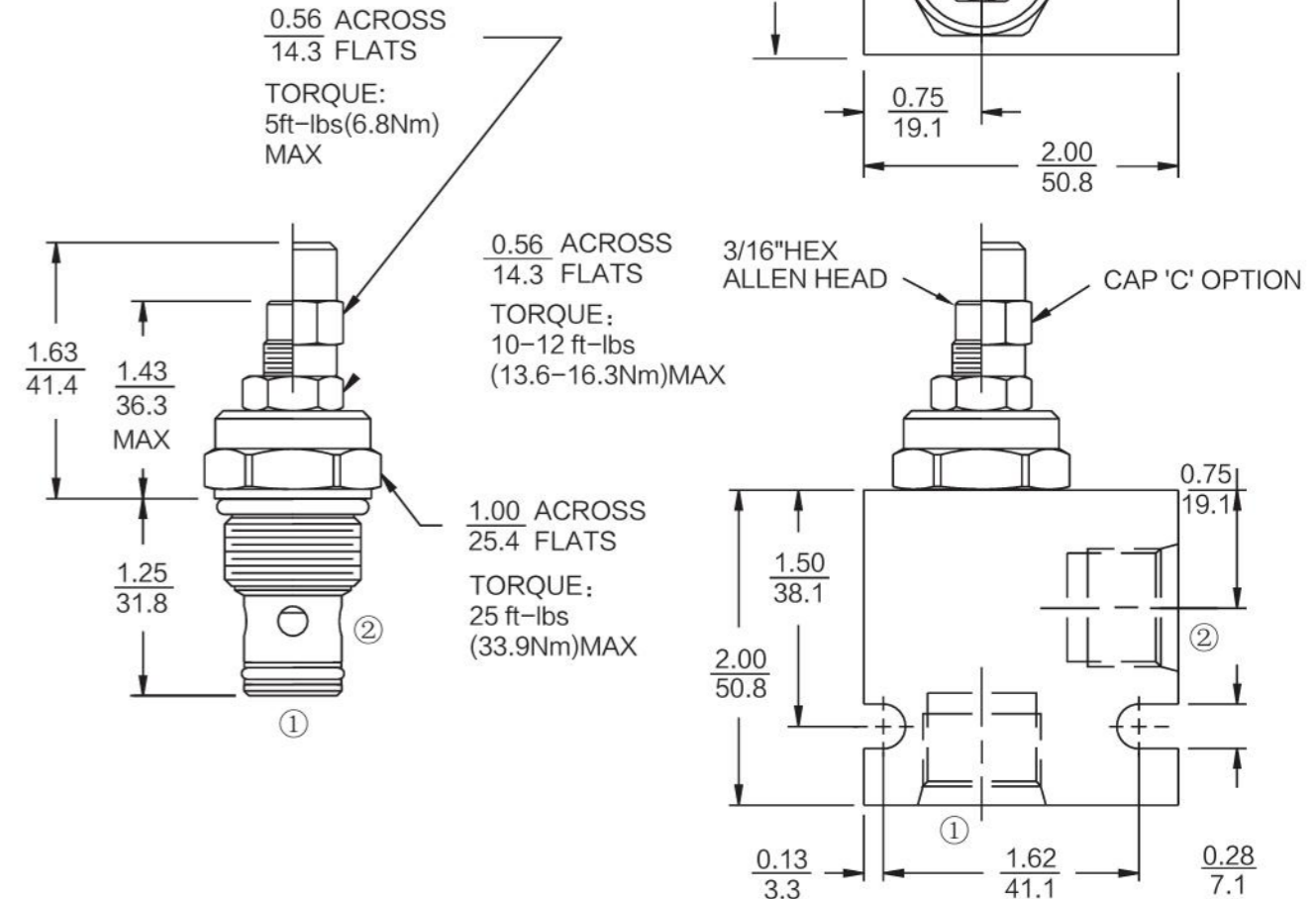


DIMENSIONS

INCH
MILLIMETRE



BSP BODY-55.9

DESCRIPTION

A screw-in, cartridge-style, variable orifice, hydraulic flow restrictor valve that requires only 5-1/2 turns for full adjustment.

OPERATION

The INN10-22 increases its orifice value from fully closed to fully open with counterclockwise adjustment rotation. Effective adjustment is linear over the 5-1/2 turn adjustment range. Settings are lockable in any position.

FEATURES

- Adjustments cannot be backed out of the valve.
- Desired settings may be locked down.
- Hardened parts for long life.
- Industry common cavity.
- Positive shut-off..
- Linear adjustment.

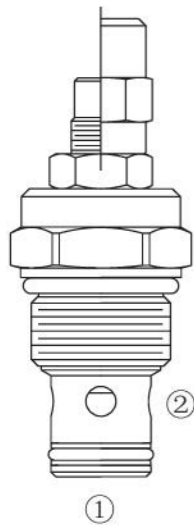
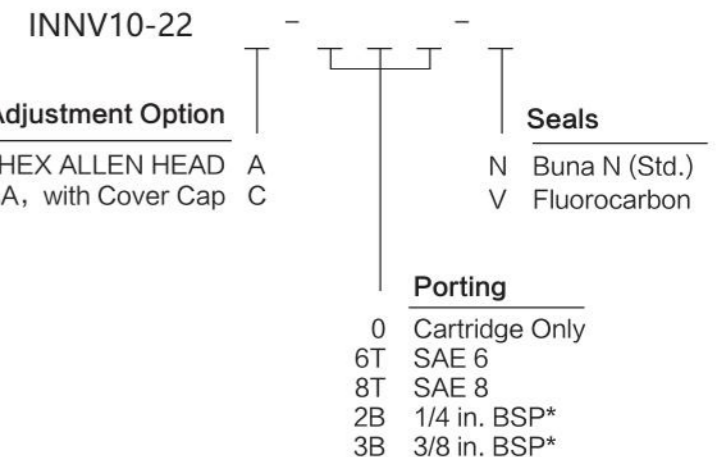
RATINGS

Operating Pressure:Inlet; 240 bar (3500 psi)
Flow: 57 lpm (15 gpm) nominal at 11 bar (160 psi) at full open 5.5 turns
Internal Leakage:0.05 cc/minute (1 drop/minute) max. at shut-off
Temperature:-40°C ~ 120°C
Fluids:Mineral-based or synthetics with lubricating properties at viscosities of 7.4 to 420 cSt (50 to 2000 ssu)
Cavity:T10-2B; See bottom of this catalog.

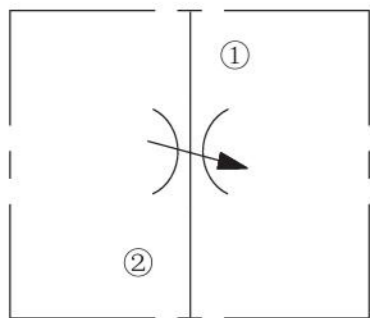
MATERIALS

Cartridge: Weight:0.15kg (0.33 lbs) ;
 Steel with hardened work surfaces.
 Zinc-plated exposed surfaces.
 Buna N O-rings and polyester elastomer back-ups standard.
 Anodized aluminum knobs.
BODY:Weight:0.16kg (0.35 lbs) ;
 Anodized highstrength 6061 T6 aluminum alloy,
 rated to 240 bar (3500 psi) ;
 Ductile iron bodies available;
 dimensions may differ

TO ORDER



ISO SYMBOL



PERFORMANCE (Cartridge Only)

