

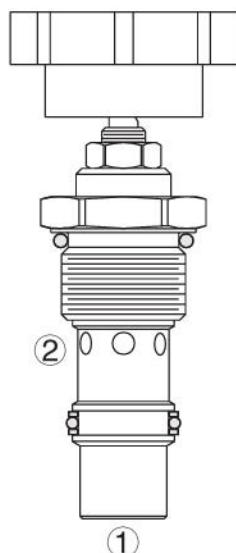
**DESCRIPTION**

A screw-in, cartridge-style, adjustable orifice, pressure-compensated, manually-operated hydraulic flow regulating valve (restrictive type).

**OPERATION**

The INFR12-23 maintains a constant flow rate out of 2 regardless of load pressure changes in the circuit downstream of 2 or upstream of 1.

The regulated flow increases from closed to fully open with counter-clockwise rotation of the adjustment screw. The valve will maintain the set flow regardless of pressure variations on the regulated or inlet port. Reverse flow (2 to 1) bypasses the control orifice.



**FEATURES**

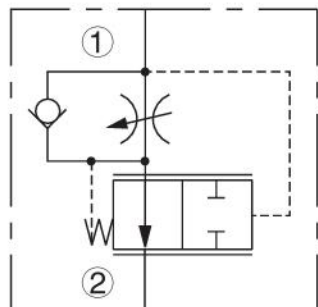
- Hardened parts for long life.
- Quiet, modulated response.
- Cost-effective cavity.

**RATINGS**

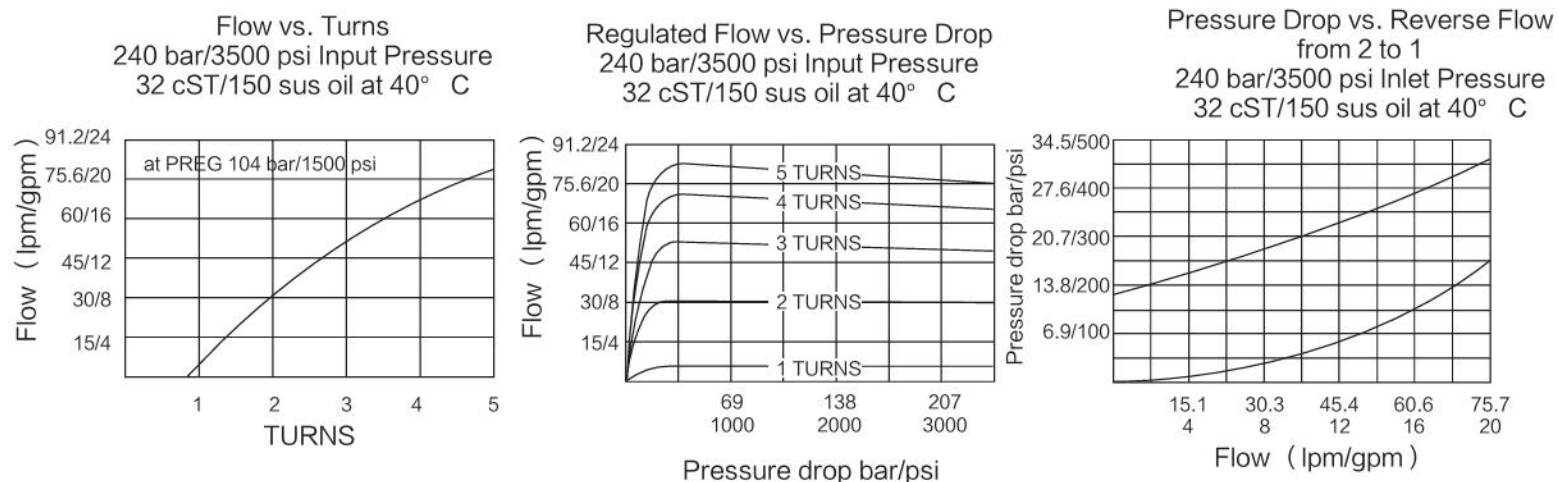
- Operating Pressure:** 240 bar (3500 psi)
- Flow Settings:** 0-77 lpm (0-20 gpm)
- Internal Leakage (1 to 2):** 0.12 lpm (0.03 gpm) max., fully closed
- Adjustment Torque Required:** 1.7 Nm (15 in.-lbs.) at 207 bar (3000 psi)
- Temperature:** -40 to 120° C
- Fluids:** Mineral-based or synthetics with lubricating properties at viscosities of 7.4 to 420 cSt (50 to 2000 sus);
- Cavity:** T12-3A ; See bottom of this catalog.

**ISO SYMBOL**

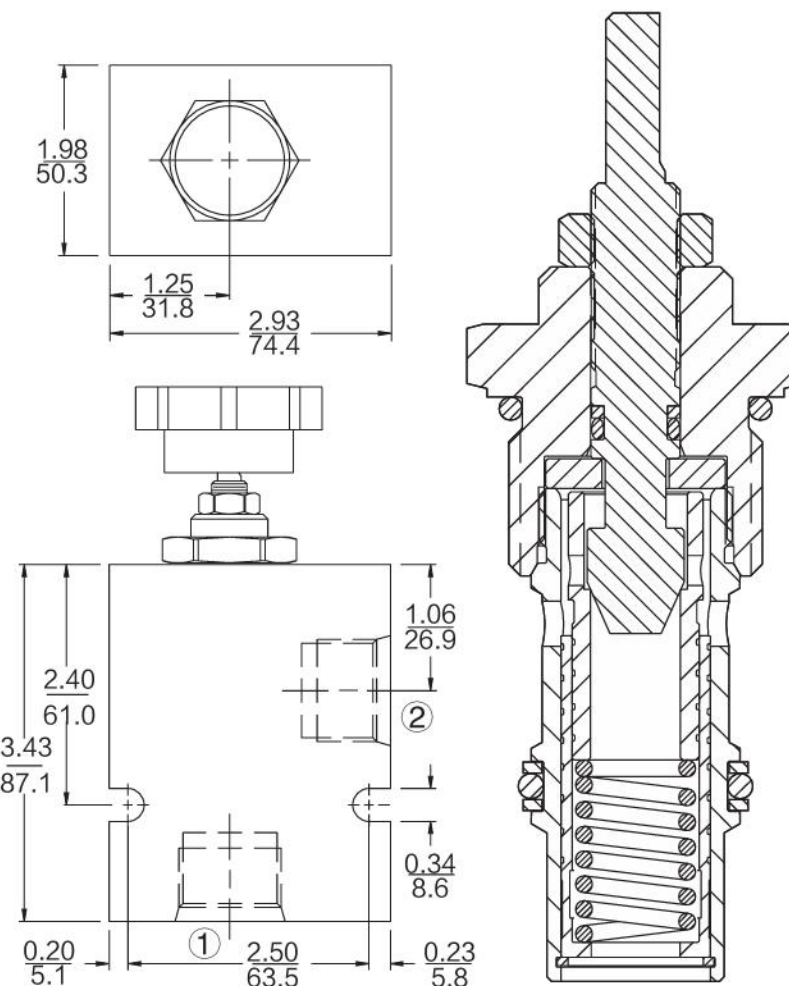
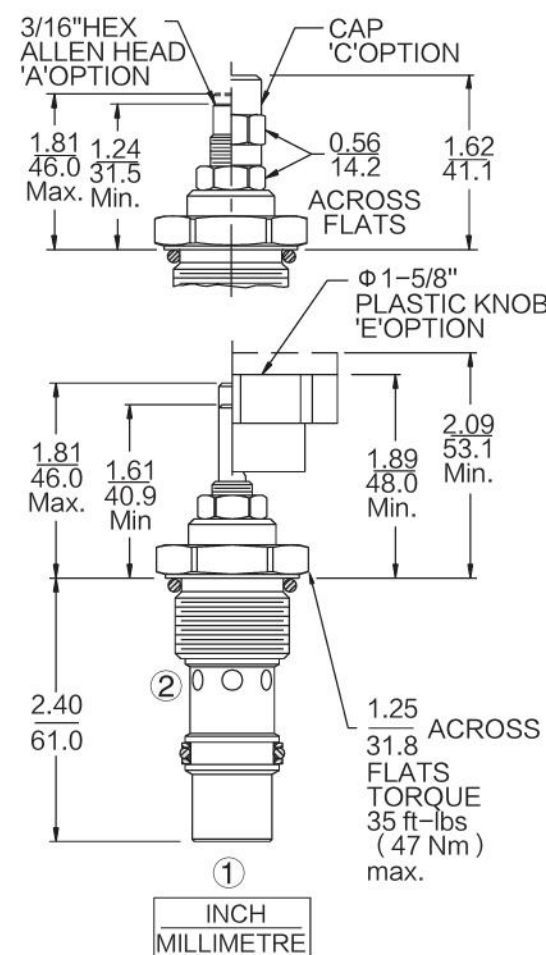
**USASI/ISO:**



**PERFORMANCE (Cartridge Only)**



**DIMENSIONS**



**MATERIALS**

**Cartridge: Weight:** 0.08 kg. (0.18 lbs.)  
Steel with hardened work surfaces.  
Zinc-plated exposed surfaces.  
Buna N O-rings and polyester elastomer back-ups standard.

**Special Ported Body: Weight:** 0.52 kg. (1.15 lbs.) Anodized highstrength 6061 T6 aluminum alloy, rated to 207 bar (3000 psi). Ductile iron bodies available; dimensions may differ.

**TO ORDER**

