

**DESCRIPTION**

A screw-in, cartridge-style, Regulator, Pressure-Compensated Restrictive style, Adjustable Flow Control Valve

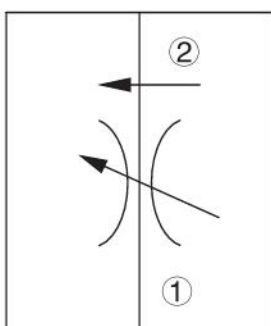
**OPERATION**

The valve maintains a constant flow within specified accuracies from ① to ② regardless of downstream load pressure. When flow produces a minimum predetermined pressure differential across the compensator spool control orifice, the spool shifts against the spring force to throttle the flow and maintain the flow setting. Reverse flow is not regulated.

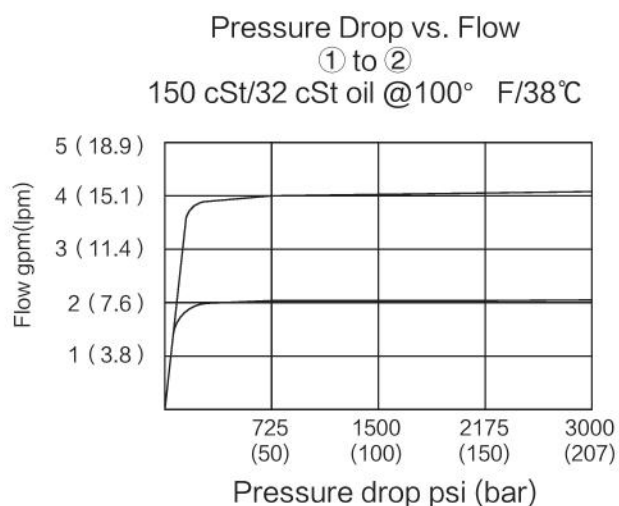
**FEATURES**

- Hardened parts for long life.
- Quiet, modulated response.
- Adjustment may be locked in place
- In dusty-common cavity.

**ISO SYMBOL**



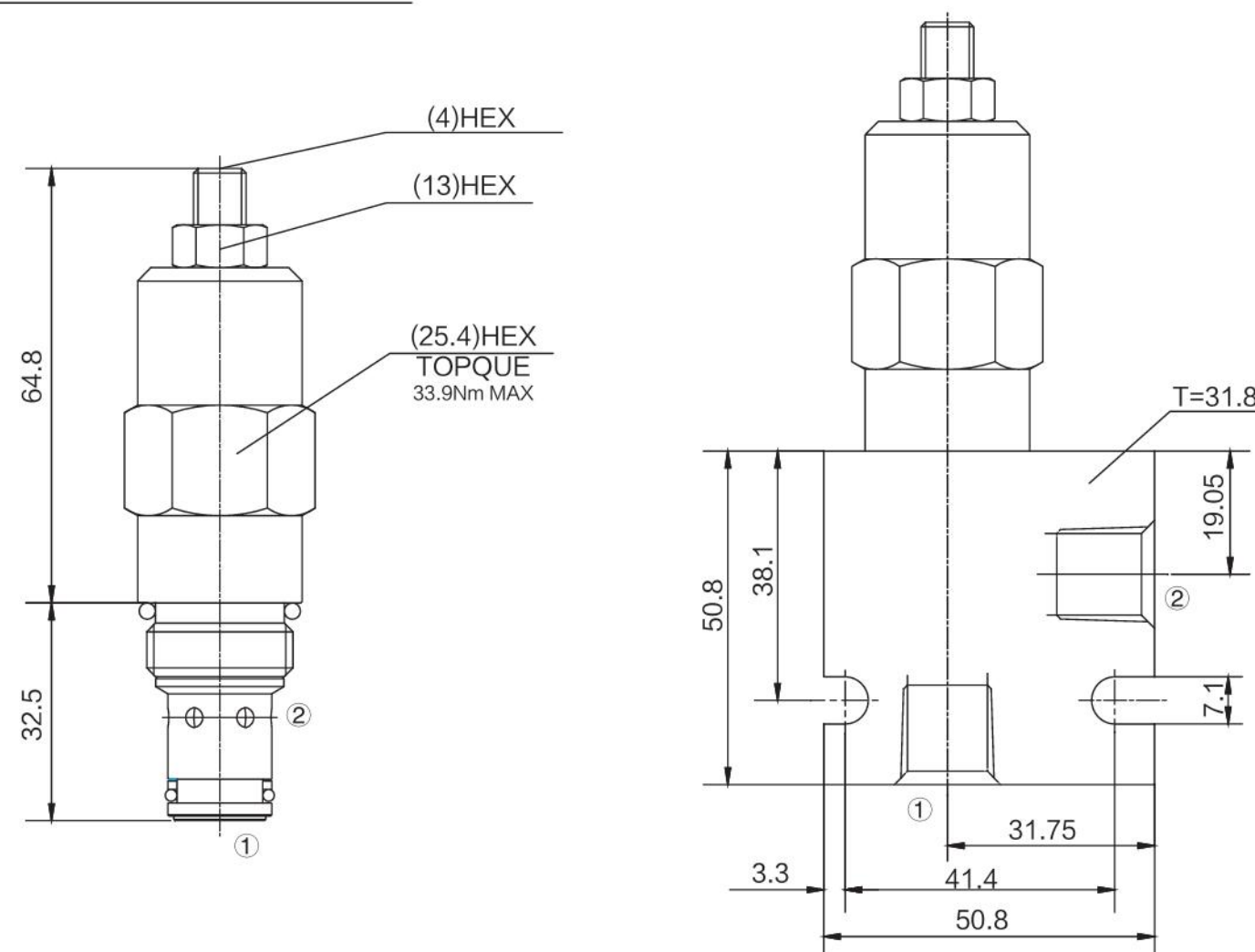
**PERFORMANCE (Cartridge Only)**



**RATINGS**

- Operating Pressure:** 240 bar
- Regulated:** 3-26l/min
- Flow Tolerances:** ± 15%
- Temperature:** -22° F to +250° F ( -30°C to +120°C )
- Filtration:** Critical Application - ISO 16/12  
Non-Critical Application - ISO 19/15
- Fluids:** Mineral-based fluids  
For other fluid compatibility , consult factory.
- Cavity:** T10-2B; See bottom of this catalog.
- Body Material:** Anodized 6061T6 aluminum alloy rated at 207 Bar.

**DIMENSIONS**



**TO ORDER**

