

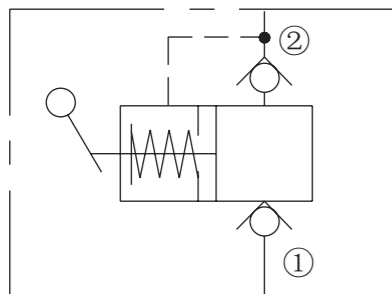
**DESCRIPTION**

A screw-in, cartridge-style, push and release type hand pump with two built-in checks.

**OPERATION**

INHP10-20 will provide a specific displacement of oil to port ①. Note: As with any mechanical hydraulic actuator (piston rods, rotating pump shaft, etc.) the shaft will become coated with a minute amount of oil from the internal high pressure system. The rod protruding from the hand pump may feel damp with oil after use. This is desirable because the oil coating serves to lubricate the shaft seal, reducing friction and assuring extended seal life.

**ISO SYMBOL**



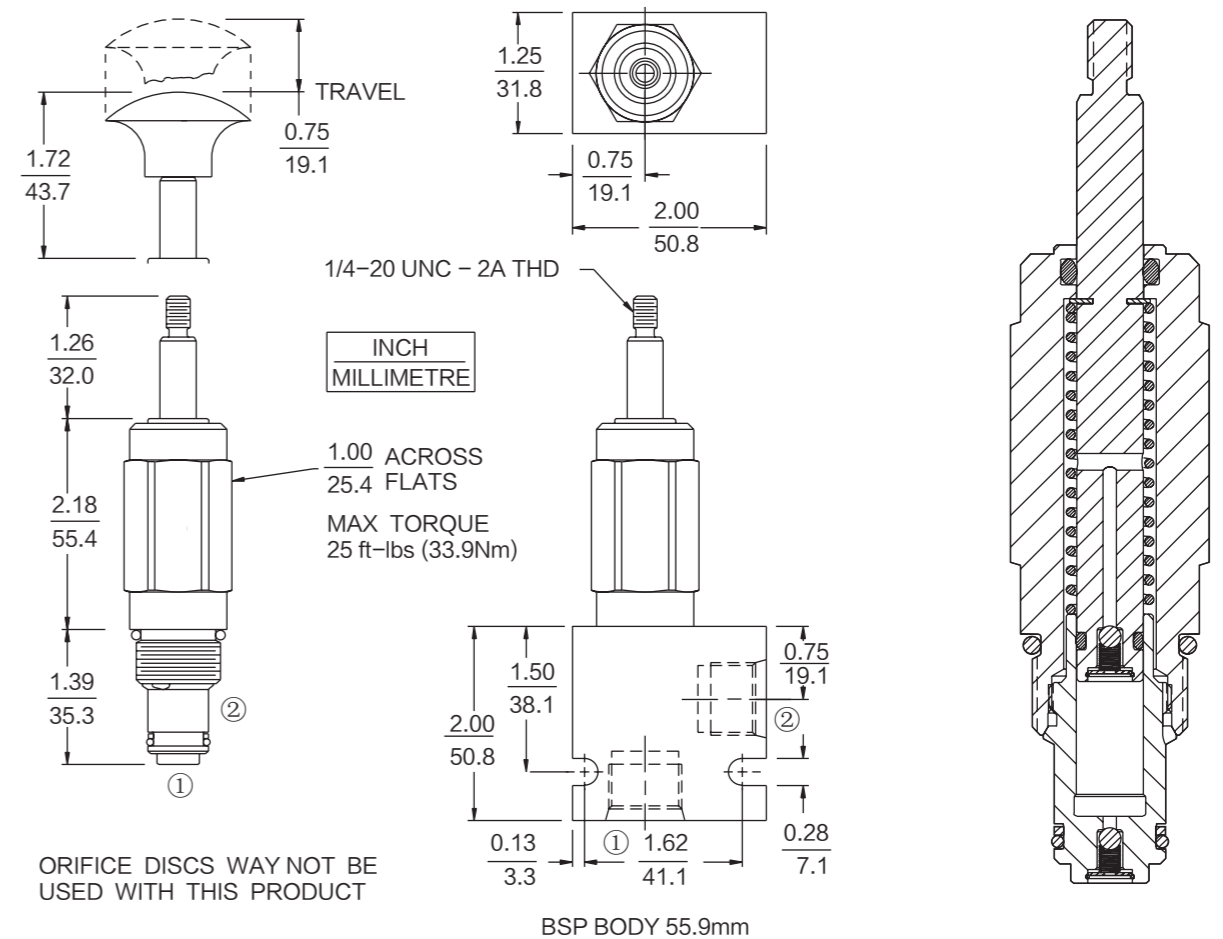
**FEATURES**

- Hardened parts for long life.
- Heavy duty construction.
- Industry common cavity.

**RATINGS**

**Operating Pressure:**  
 Ports ① 为 207 bar/3000 psi; Ports ② 为 69 bar/1000 psi  
**Displacement:** 1.36 cc/0.083 cu. in. per stroke  
**Force Required:** 30 lbs. to attain 17 bar/250 psi  
**Internal Leakage:** From port ① to port ② : 0.15 cc/3 drops per minute maximum at 207 bar/3000 psi  
**Temperature:** -40°C ~ 120°C  
**Fluids:** Mineral-based or synthetics with lubricating properties at viscosities of 7.4 to 420 cSt (50 to 2000 ssu)  
**Cavity:** T10-2B; See bottom of this catalog.

**DIMENSIONS**



**MATERIALS**

**Cartridge: Weight:** 0.27 kg (0.60 lbs);  
 Steel with hardened worksurfaces.  
 Zinc-plated exposed surfaces.  
 Buna N O-rings and polyester elastomer back-ups standard.  
 Anodized aluminum knobs.

**Standard Ported Body: Weight:**  
 0.16 kg (0.35 lbs);  
 Anodized highstrength  
 6061 T6 aluminum alloy,  
 rated to 240 bar(3500 psi);  
 Ductile iron bodies available;  
 dimensions may differ.

**TO ORDER**

