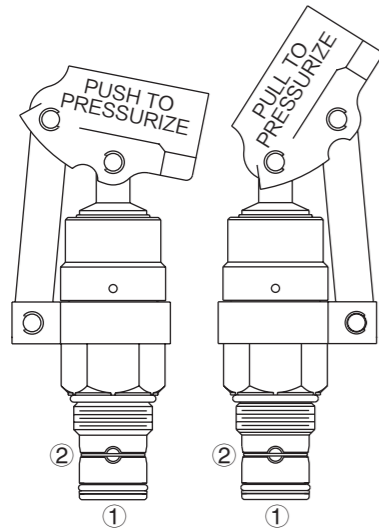
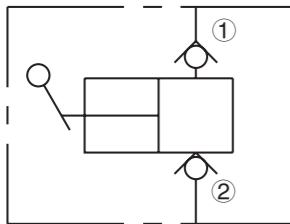


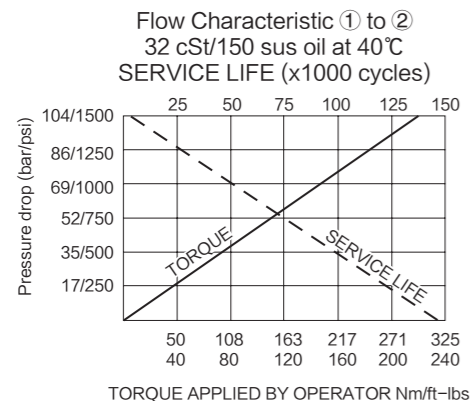
INHP16-21 Hand Pump



ISO SYMBOL



PERFORMANCE (Cartridge Only)



DESCRIPTION

A screw-in, cartridge-style, push or pull type hand pump with two built-in checks.

OPERATION

The INHP16-21 provides hydraulic flow to 1.3 cu. in. per stroke, at pressures to 96 bar (1500 psi).

Note: As with any mechanical hydraulic actuator (piston rods, rotating pump shaft, etc.) the shaft will become coated with a minute amount of oil from the internal high pressure system. The rod protruding from the hand pump may feel damp with oil after use. This is desirable because the oil coating serves to lubricate the shaft seal, reducing friction and assuring extended seal life.

FEATURES

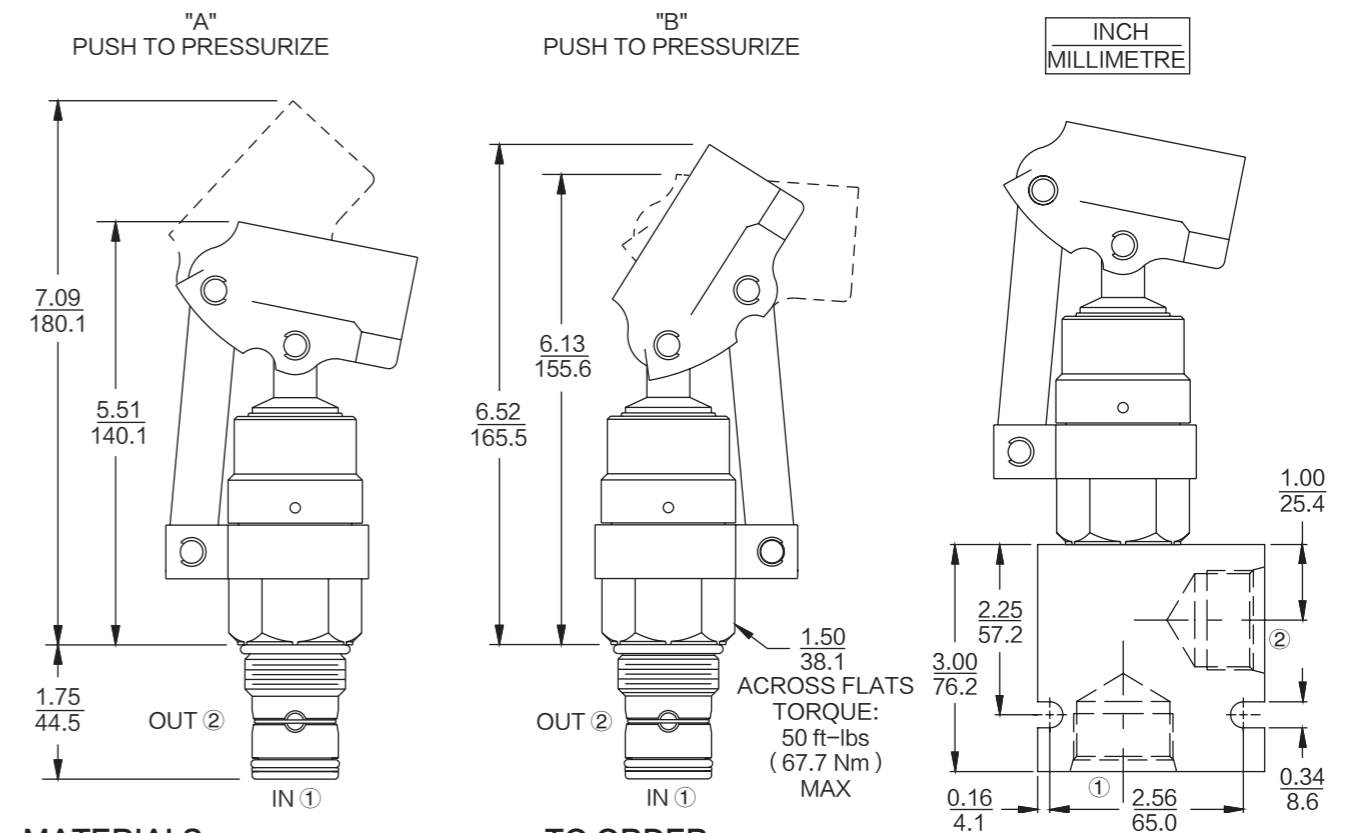
- Hardened parts for long life.
- Handle Beam rotates 360°
- Push or pull linkage standard.
- Heavy duty construction.
- Industry common cavity.
- Displacement up to 21.3 cc (1.3 cu in.) per stroke.

RATINGS

- System Pressure:** 207 bar (3000 psi)
- Pressure Generated by INHP16-21:** 96 bar (1500 psi) maximum
- Proof Pressure:** 345 bar (5000 psi)
- Internal Leakage:** From port to the inside of the pump: 5 drops/minute (0.25 cc/minute) max. at 207 bar (3000 psi)
- Suction Pressure:** 194 mm Hg (7.6 in. Hg, 104 in. H₂O) less than atmospheric pressure
- Temperature:** -40 to 120°
- Filtration:** See page
- Fluids:** Mineral-based or synthetics with lubricating properties at viscosities of 7.4 to 420 cSt (50 to 2000 sus)
- Installation:** No restrictions; See page
- Cavity:** T16-2A; See bottom of this catalog.
- Handle Kit:** 16 in. handle, 2.65 kg. (1.2 lbs.) Part no. 6502340; Must be ordered separately

INHP16-21

DIMENSIONS



MATERIALS

Cartridge: Weight: 1.27 kg. (2.8 lbs.)

Steel with hardened work surfaces.
Zinc-plated exposed surfaces.
Buna N O-rings and polyester elastomer back-ups standard.

Standard Ported Body: Weight:

0.57 kg. (1.25 lbs.) Anodized high strength 6061 T6 aluminum alloy, rated to 207 bar (3000 psi). Ductile iron bodies available; dimensions may differ. See page

INHP16-21

**Push or Pull		Seals	
Push Handle Actuation	A	N	Buna N (Std.)
Pull Handle Actuation	B	V	Fluorocarbon
*Shipped as kit for installation Handle Kit Part no. 6502340; Must be ordered separately.			
Porting			
0	Cartridge Only		
12T	SAE 12		
16T	SAE 16		
6B	3/4 in. BSP*		
8B	1 in. BSP*		