

DESCRIPTION

A screw-in, cartridge-style, direct-acting, spool-type, hydraulic pressure reducing/relieving valve with internal pilot and internal spring chamber drain, designed to act as a pressure-regulating device for secondary circuits.

It is intended for use in stable input flow circuits.

OPERATION

In its steady state, the INPR08-32 allows flow to pass bidirectionally from ② to ①, with the spring chamber constantly drained at ③.

On attainment of a pre-determined pressure at ①, the cartridge shifts to block flow at ②, thereby regulating pressure at ①.

In this mode, the valve also will relieve ① to ③ at a variable value over the set reducing pressure.

Note: Direct-acting PR series valves may not be suitable for some static load applications. Consult factory.

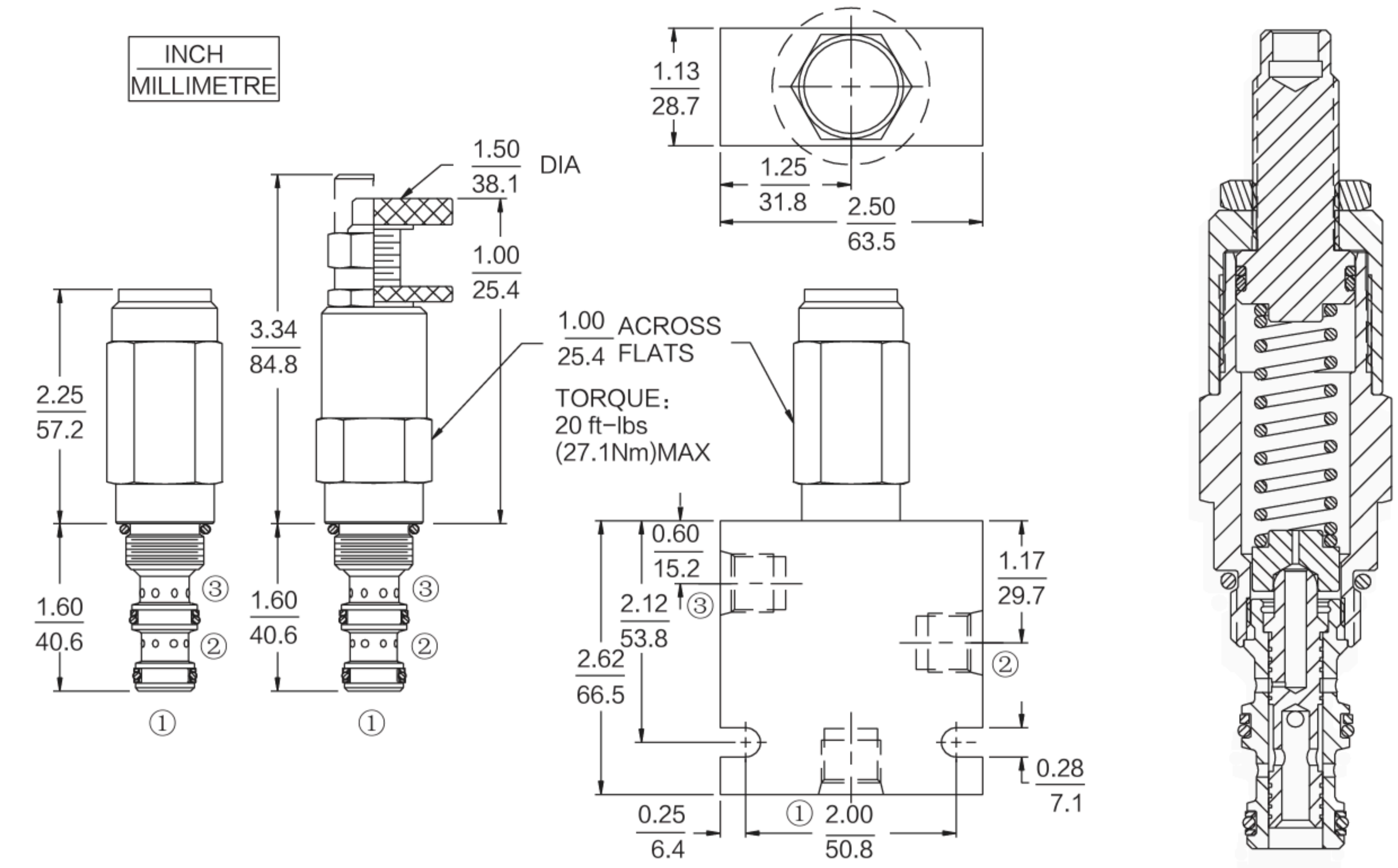
FEATURES

- Adjustments cannot be backed out of the valve.
- Adjustments prohibit springs from going solid.
- Hardened spool and cage for long life.
- Optional spring ranges to 152 bar (2200 psi) .
- Industry common cavity.
- Compact size.

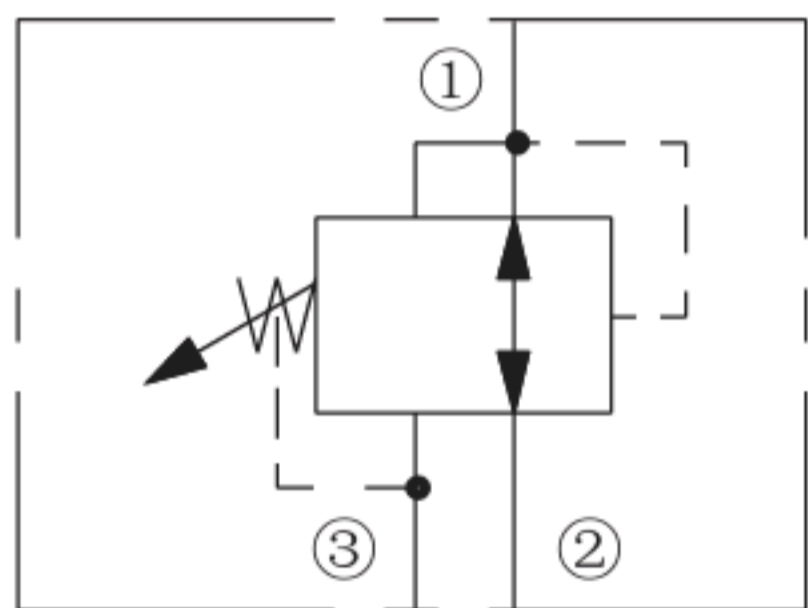
RATINGS

- Operating Pressure:** 240 bar (3500 psi)
- Proof Pressure:** 390 bar (5700 psi)
- Flow:** MAX 11.4 lpm (3 gpm)
- Internal Leakage:** ② to ③: 82 cc/minute (5 cu. in/minute) max. at 207 bar (3000 psi) to 90% of nominal setting
- Standard Spring Ranges (Reducing Function) :**
 - 3.4 ~ 20.7 bar (50 ~ 300 psi)
 - 6.9 ~ 41.4 bar (100 ~ 600 psi)
 - 20.7 ~ 82.8 bar (300 ~ 1200 psi)
 - 34.5 ~ 151.7 bar (500 ~ 2200 psi)
- Temperature:** -40°C ~ 120°C (with Buna N seals)
- Fluids:** Mineral-based or synthetics with lubricating properties at viscosities of 7.4 to 420 cSt (50 to 2000 ssu)
- Cavity:** T08-3A; See bottom of this catalog.

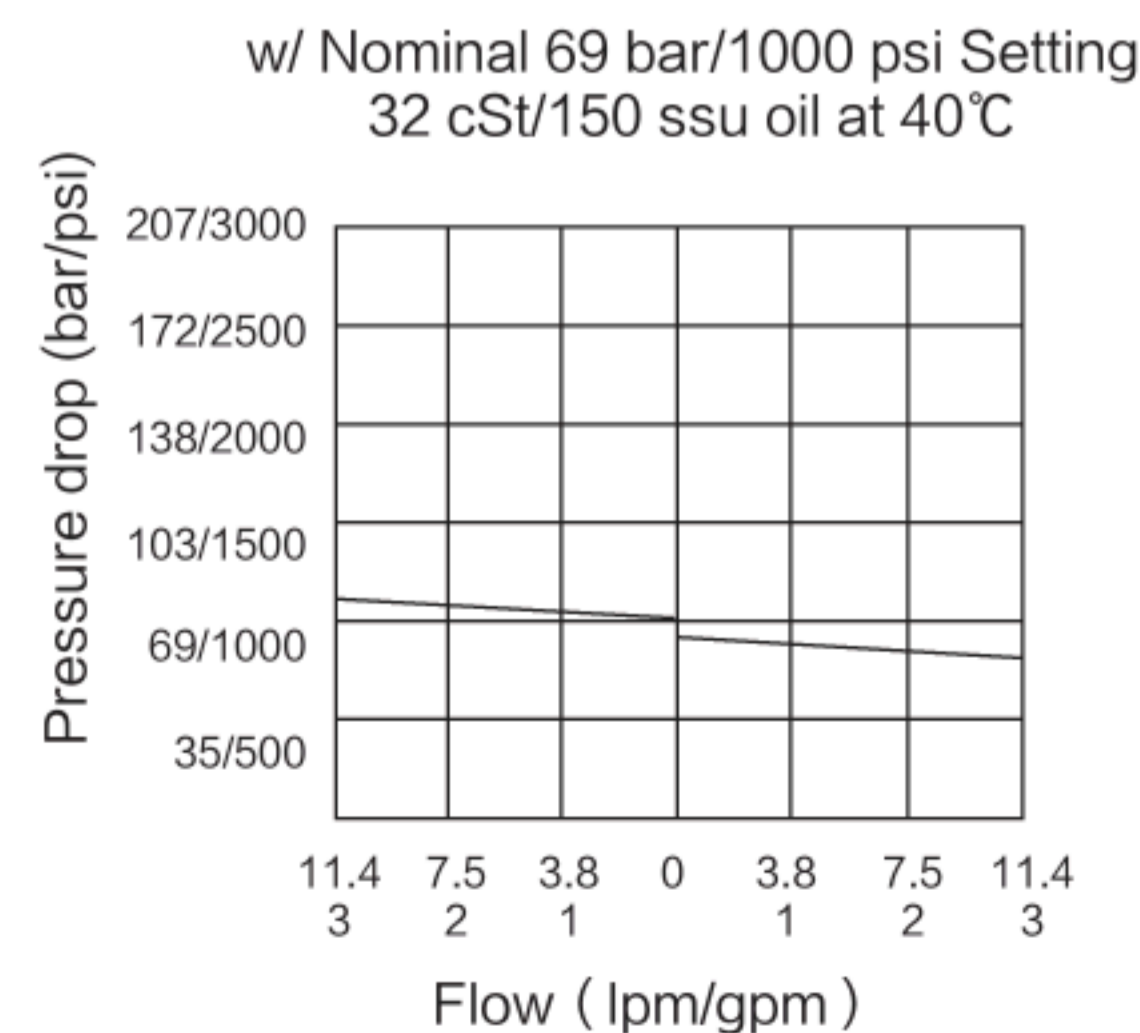
DIMENSIONS



ISO SYMBOL



PERFORMANCE (Cartridge Only)



MATERIALS

Cartridge: Weight: 0.25kg (0.55 lbs) ; Steel with hardened work surfaces. Zinc-plated exposed surfaces. Buna N O-rings and back-ups standard. Anodized aluminum knob.

BODY: Weight: 0.27kg (0.60 lbs) ; Anodized high-strength aluminum alloy, rated to 207 bar (3000 psi). Ductile iron bodies available; dimensions may differ.

TO ORDER

INPR08-32		Adjustment Option		Setting in bar†	
1/4 in. Hex Allen Head	A	(Blank)	for Adjustable, or Specify, for example:	M25	25 bar
1-1/2 in. Dia. Alum. Knobs	B	M100	100 bar		
Option A with Cover Cap	C				
Factory Preset Non-Adj.	F				
Factory Preset Hidden Adj.	H				
Option C w/Lockwire Holes	L				
Porting		Setting in psi†			
Cartridge Only	0	(Blank)	for Adjustable, or Specify, for example:	9.0	900 psi
SAE 4	4T	21.0	2100 psi		
SAE 6	6T				
1/4 in. BSP*	2B				
3/8 in. BSP*	3B				
Seals		Spring Range			
	Buna N	3	3.4 to 20.7 bar (50 to 300 psi)		
	Fluorocarbon V	6	6.9 to 41.4 bar (100 to 600 psi)		
		12	20.7 to 82.8 bar (300 to 1200 psi)		
		22	34.5 to 151.7 bar (500 to 2200 psi)		