

DESCRIPTION

A screw-in, cartridge-style, direct-acting, spool-type, hydraulic pressure reducing/relieving valve with internal pilot and internal spring chamber drain, designed to act as a pressure-regulating device for secondary circuits. It is intended for use in stable input flow circuits.

OPERATION

INPR10-32 allows flow to pass bidirectionally from ② to ①, with the spring chamber constantly drained at ③. On attainment of a pre-determined pressure at ①, the cartridge shifts to restrict input flow at ②, thereby regulating pressure at ①. In this mode, the valve will also relieve ① to ③ at approximately 10 bar (150 psi) over the reducing setting.

Note: Direct-acting PR series valves may not be suitable for some static load applications. Consult factory.

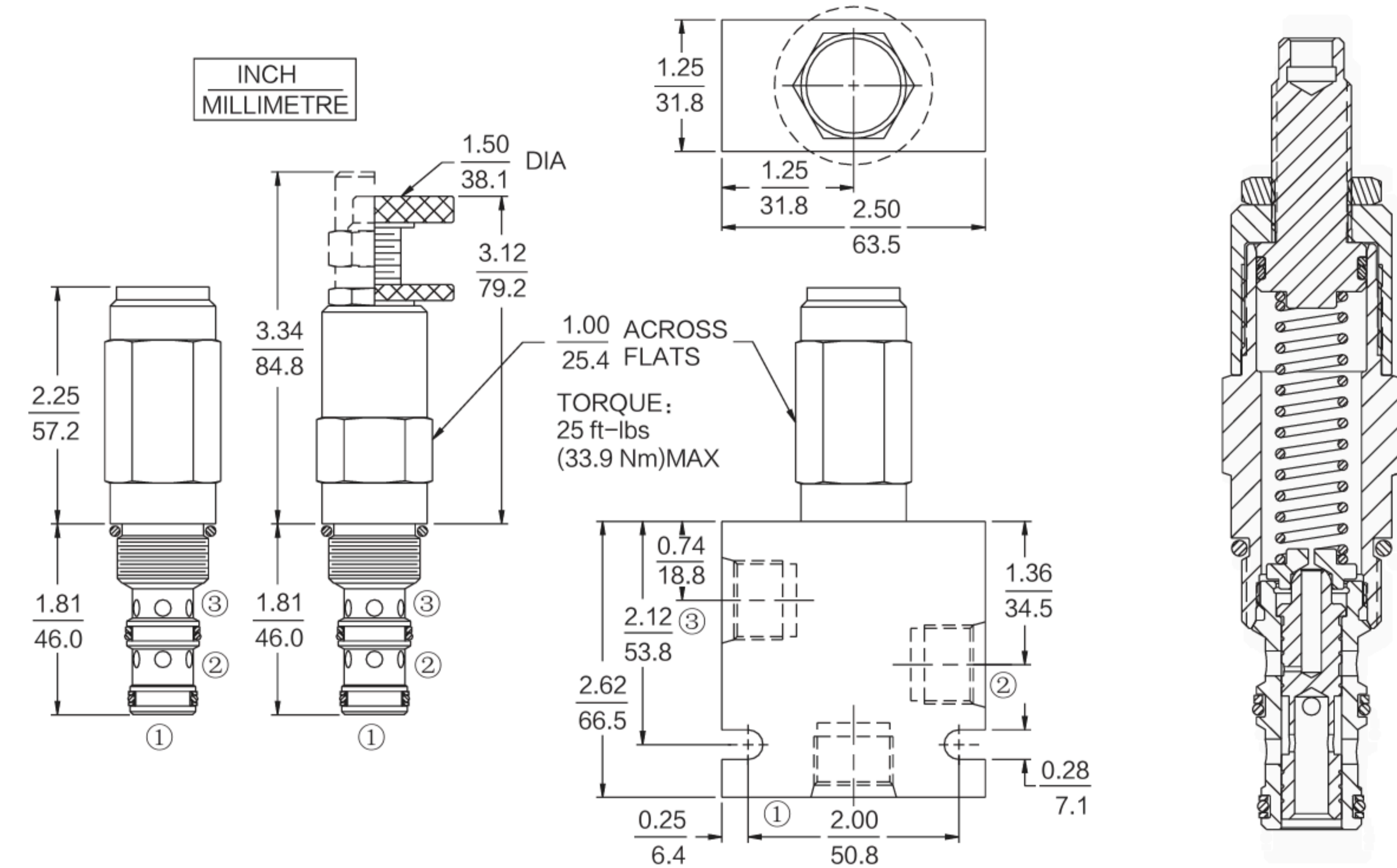
FEATURES

- Adjustments cannot be backed out of the valve.
- Adjustments prohibit springs from going solid.
- Hardened spool and cage for long life.
- Optional spring ranges to 145 bar (2100 psi).
- Industry common cavity.

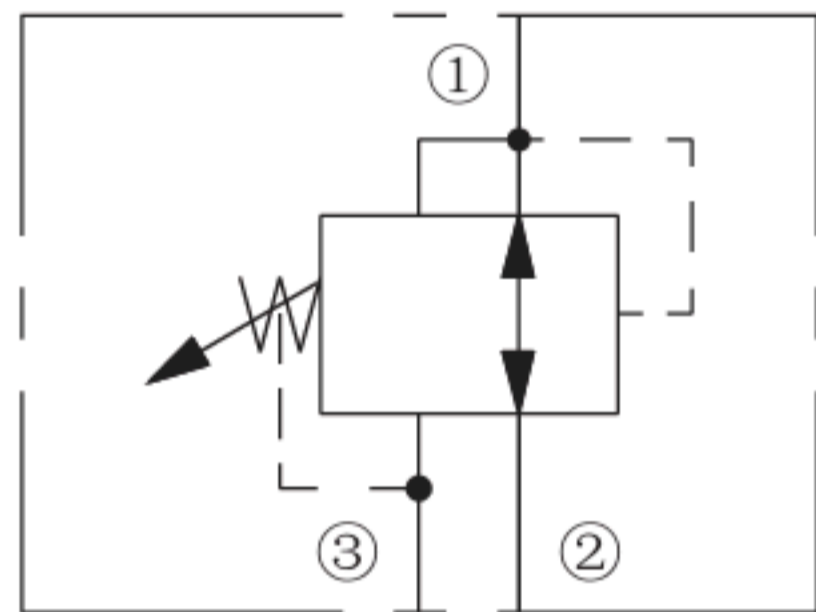
RATINGS

Operating Pressure: 207 bar (3000 psi)
Flow: See Performance Chart
Internal Leakage: ② to ③: 82 cc/minute (5 cu. in/minute) max. at ΔP 207 bar (3000 psi)
Standard Spring Ranges (Reducing Function) :
 5.5 ~ 27.6 bar (80 ~ 400 psi)
 13.8 ~ 55.2 bar (200 ~ 800 psi)
 20.7 ~ 103 bar (300 ~ 1500 psi)
 27.6 ~ 145 bar (400 ~ 2100 psi)
Temperature: -40°C ~ 120°C (with Buna N seals)
Fluids: Mineral-based or synthetics with lubricating properties at viscosities of 7.4 to 420 cSt (50 to 2000 ssu)
Cavity: T10-3A; See bottom of this catalog.

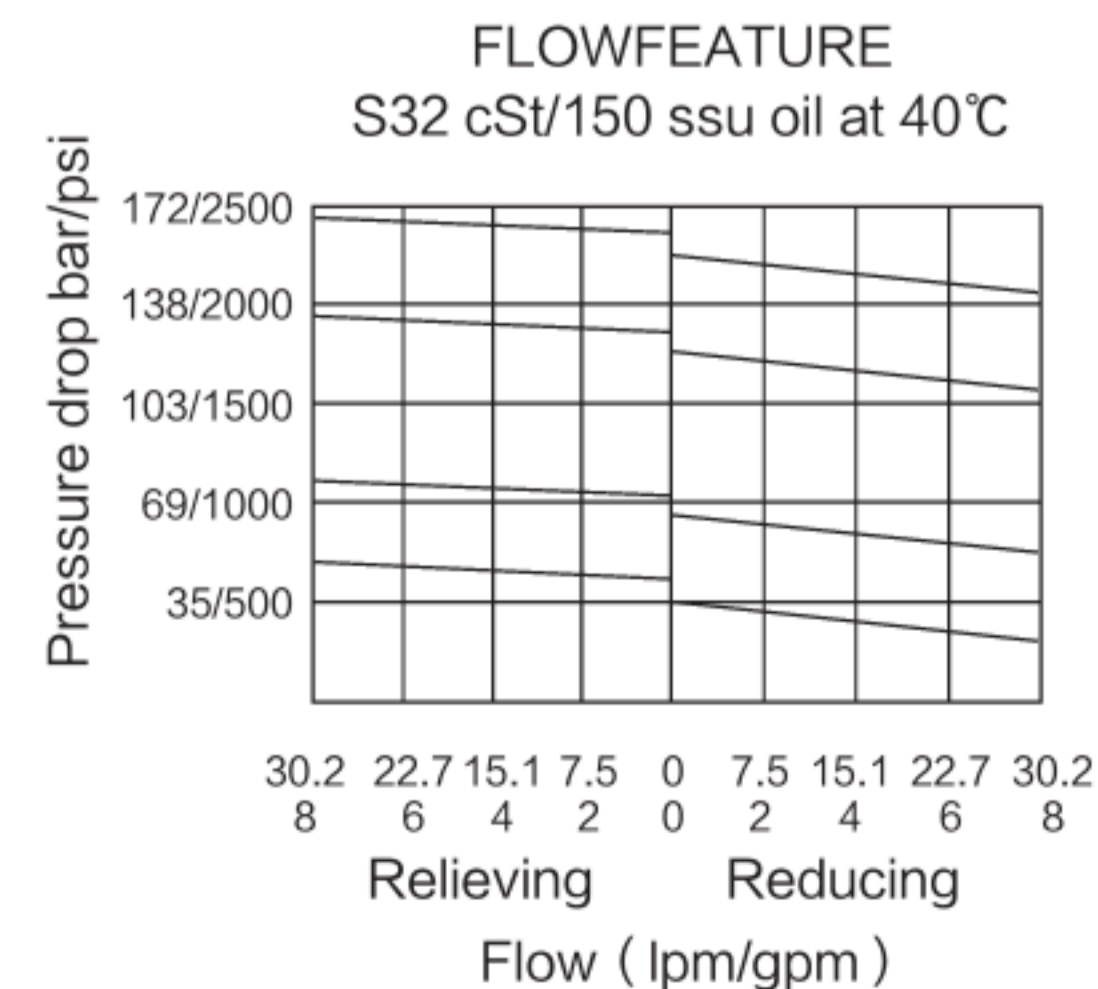
DIMENSIONS



ISO SYMBOL



PERFORMANCE (Cartridge Only)



MATERIALS

Cartridge: Weight: 0.27kg (0.60 lbs) ;
 Steel with hardened work surfaces.
 Zinc-plated exposed surfaces.
 Buna N O-rings and polyester elastomer back-ups standard.
 Anodized aluminum knobs and caps.
BODY: Weight: 0.36kg (0.80 lbs) ;
 Anodized highstrength 6061 T6 aluminum alloy, rated to 207 bar (3000 psi).
 Ductile iron bodies available; dimensions may differ

TO ORDER

Adjustment Option		Setting in bar†	
1/4 in. Hex Allen Head	A	(Blank)	for Adjustable, or Specify, for example:
1-1/2 in. Dia. Alum. Knobs	B	M25	25 bar
Option A with Cover Cap	C	M100	100 bar
Factory Preset Non-Adj.	F		Setting in psi†
Factory Preset Hidden Adj.	H	(Blank)	for Adjustable, or Specify, for example:
Option C w/Lockwire Holes	L	9.0	900 psi
		21.0	2100 psi
Porting		Spring Range	
Cartridge Only	0	4	5.5 to 27.6 bar (80 to 400 psi)
SAE 6	6T	8	13.8 to 55.2 bar (200 to 800 psi)
SAE 8	8T	15	20.7 to 103 bar (300 to 1500 psi)
1/4 in. BSP*	2B	21	27.6 to 145 bar (400 to 2100 psi)
3/8 in. BSP*	3B		
Seals			
	Buna N		
	Fluorocarbon	V	

†Adjustable valves will be