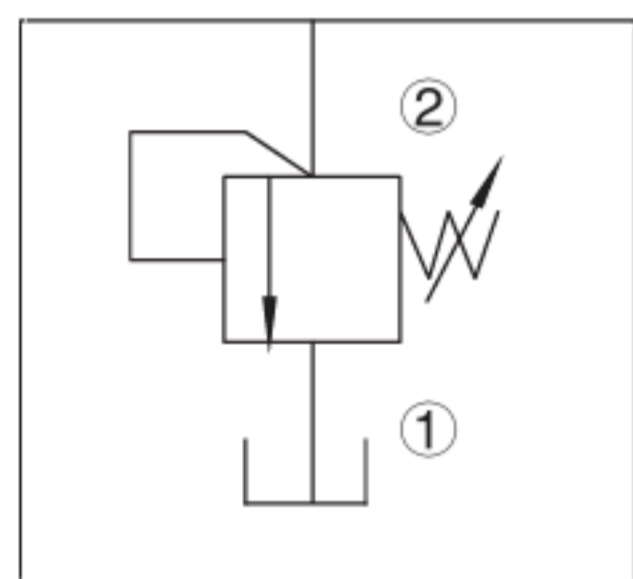
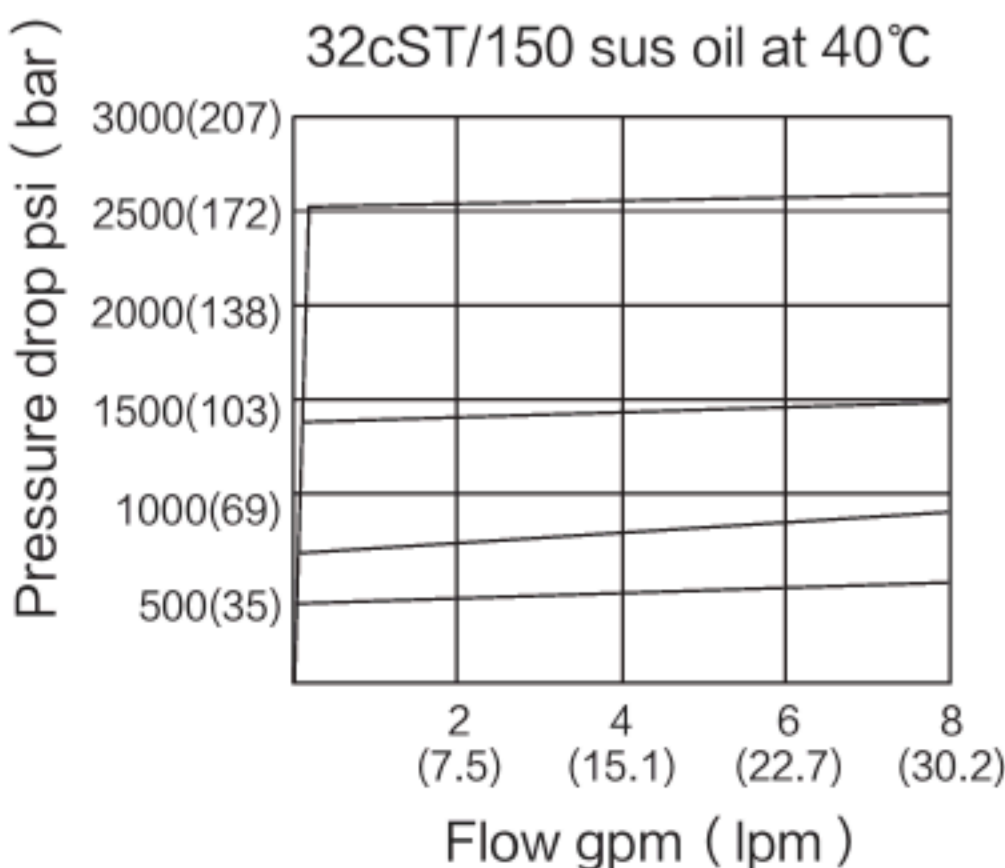


ISO SYMBOL



PERFORMANCE (Cartridge Only)



DESCRIPTION

A screw-in, cartridge-style, hydraulic check valve for use as a blocking or load-holding device.

OPERATION

The valve blocks flow from ② to ① until sufficient pressure is present at ② to force the poppet from its seat.

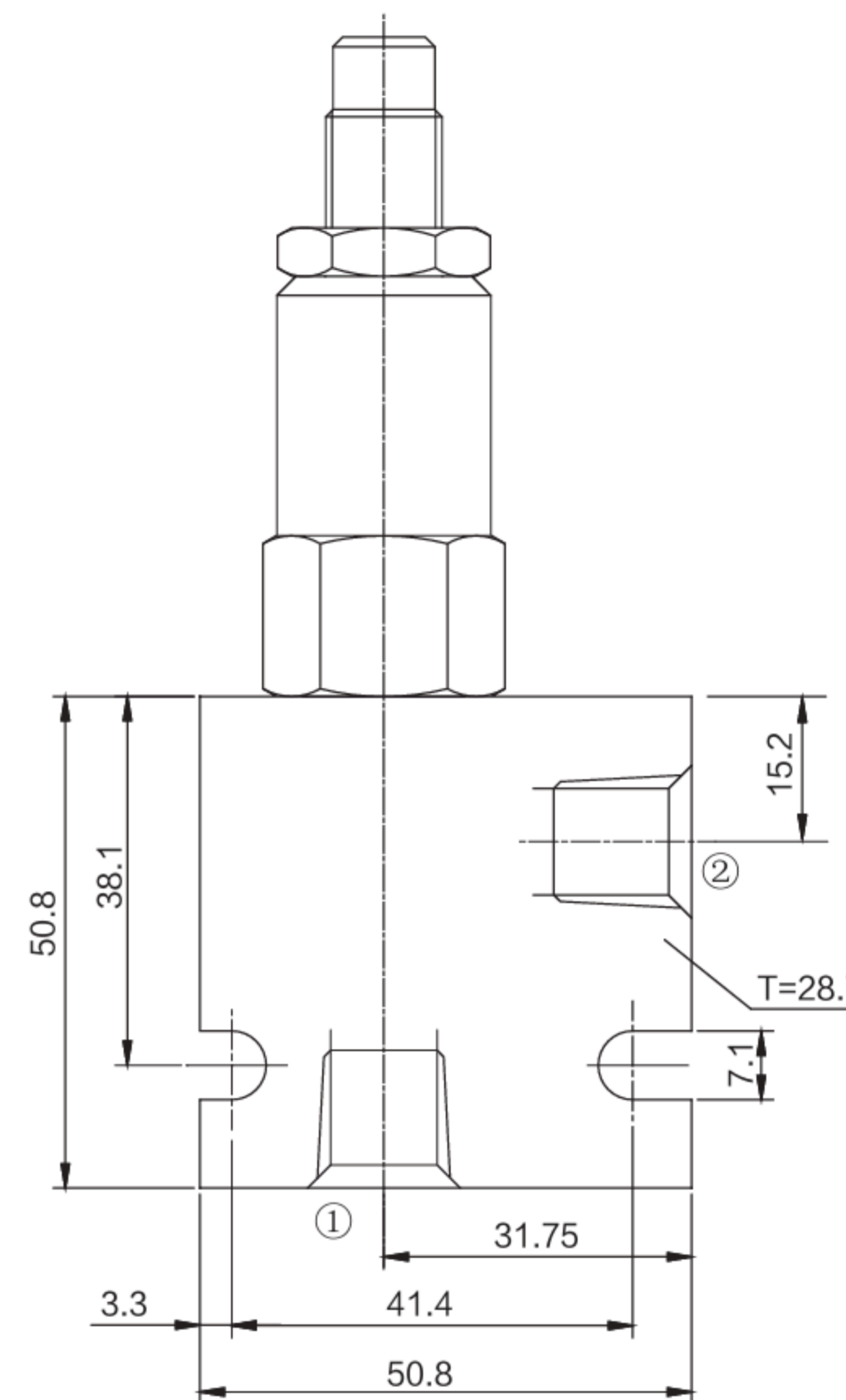
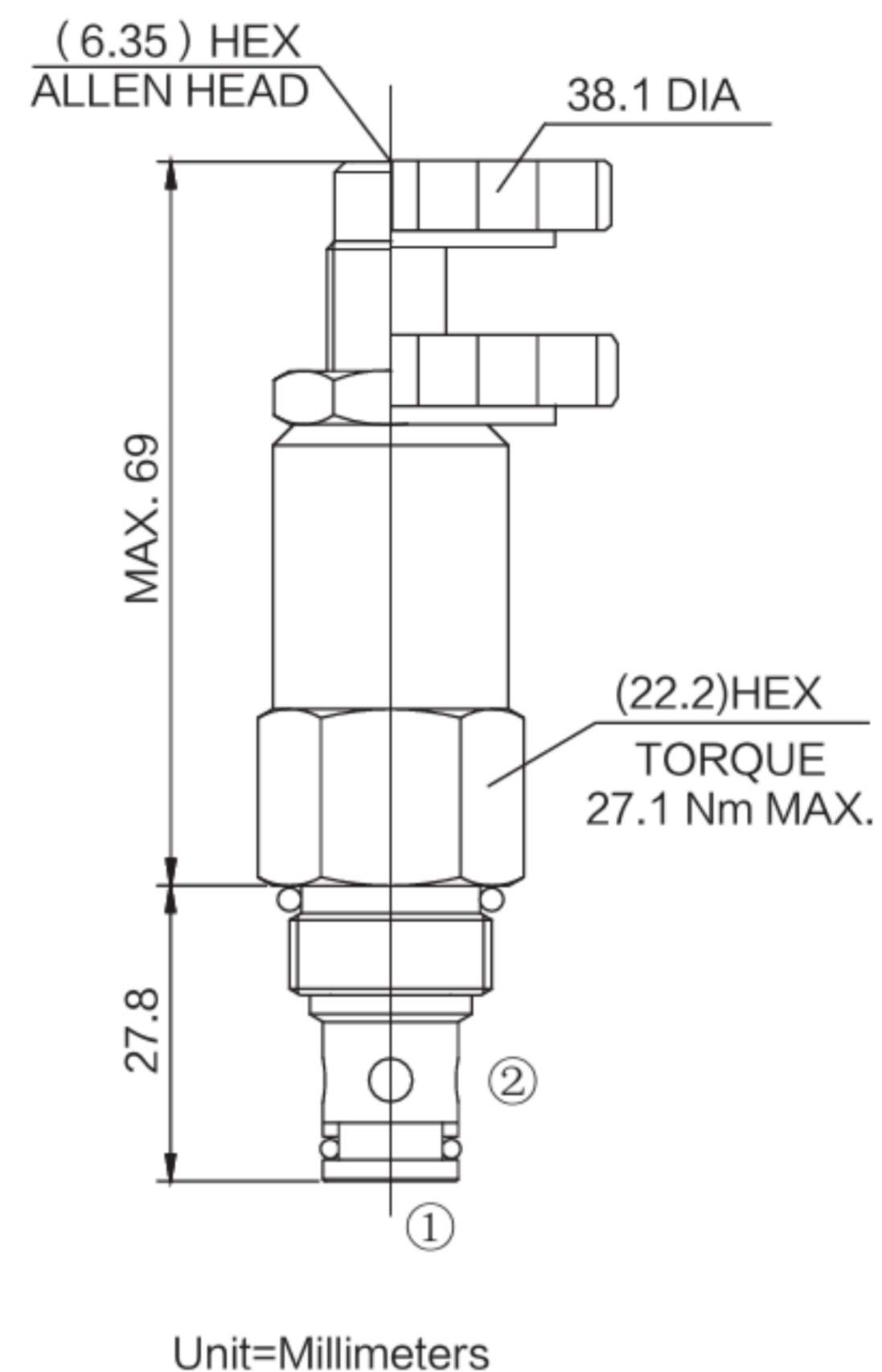
FEATURES

- Hardened poppet and cage for long life.
- Optional spring ranges to 250 bar.
- Smooth response to pressure suges.
- Industry common cavity.
- Compact siza.

RATINGS

Operating Pressure: 250 bar
 Flow: See Flow: Characteristic.
 Internal Leakage: 5 drops/min. MAX. to 80% of noeminal serring
 Reseat Pressure: Nominal 80% of crack pressure
 [crack(set) pressure at 0.95lpm/0.25gpm]
 Spring Range:
 3.45 to 27.59 bar, preset 14Bar;
 6.90 to 62.07 bar, preset 31Bar;
 6.90 to 117.24 bar, preset 58 Bar;
 17.24 to 250 bar, preset 110 Bar;
 Temperature: -30°C to +120°C
 Filtration: Critical Application -ISO 16/12
 Non-Critical Application -ISO 19/15
 Fluids: Mineral-based fluids.
 For other fluid compatibilty consult factory.
 Cavity: T08-2E; See bottom of this catalog.
 Body Material: Anodized 6061T6 aluminum alloy rated at 207Bar.

DIMENSIONS



TO ORDER

