

DESCRIPTION

A screw-in, cartridge-style, direct-acting, poppet-type, hydraulic relief valve intended for use as a pressure limiting device for common hydraulic circuit protection.

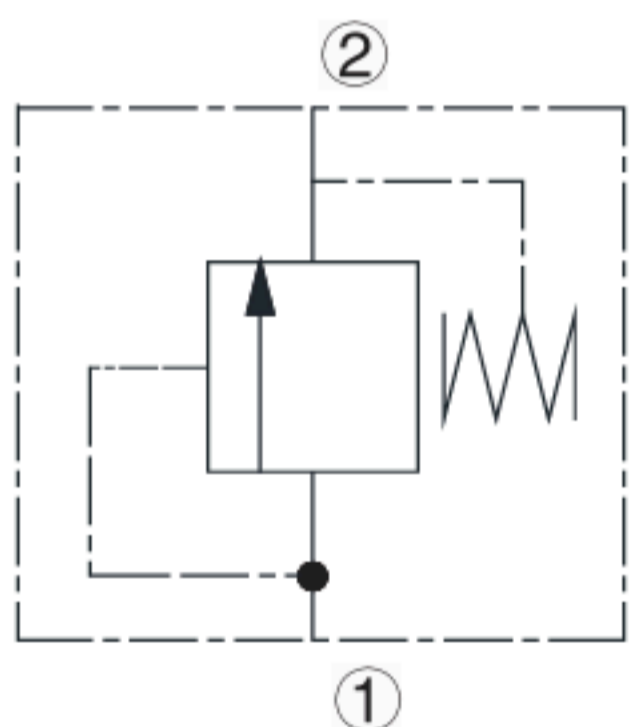
OPERATION

The INNERV-08 blocks flow from 1 to 2 until sufficient pressure is present at 2 to force the poppet from its seat.

FEATURES

- Adjustments cannot be backed out of the valve.
- When adjusting, the spring will not be pressed.
- Optional spring ranges to 350bar (5000 psi).
- Rapid response to pressure surges.
- Compact structure.
- Noise free response.

ISO SYMBOL

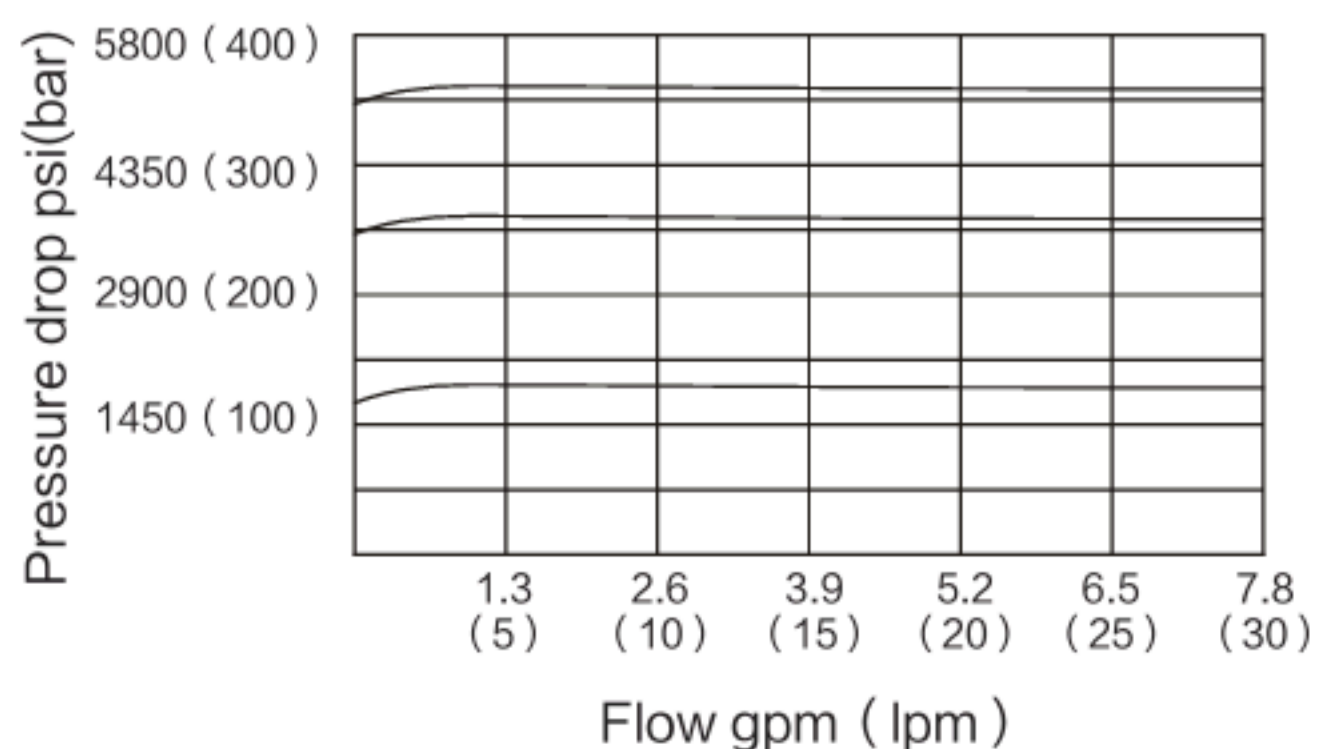


RATINGS

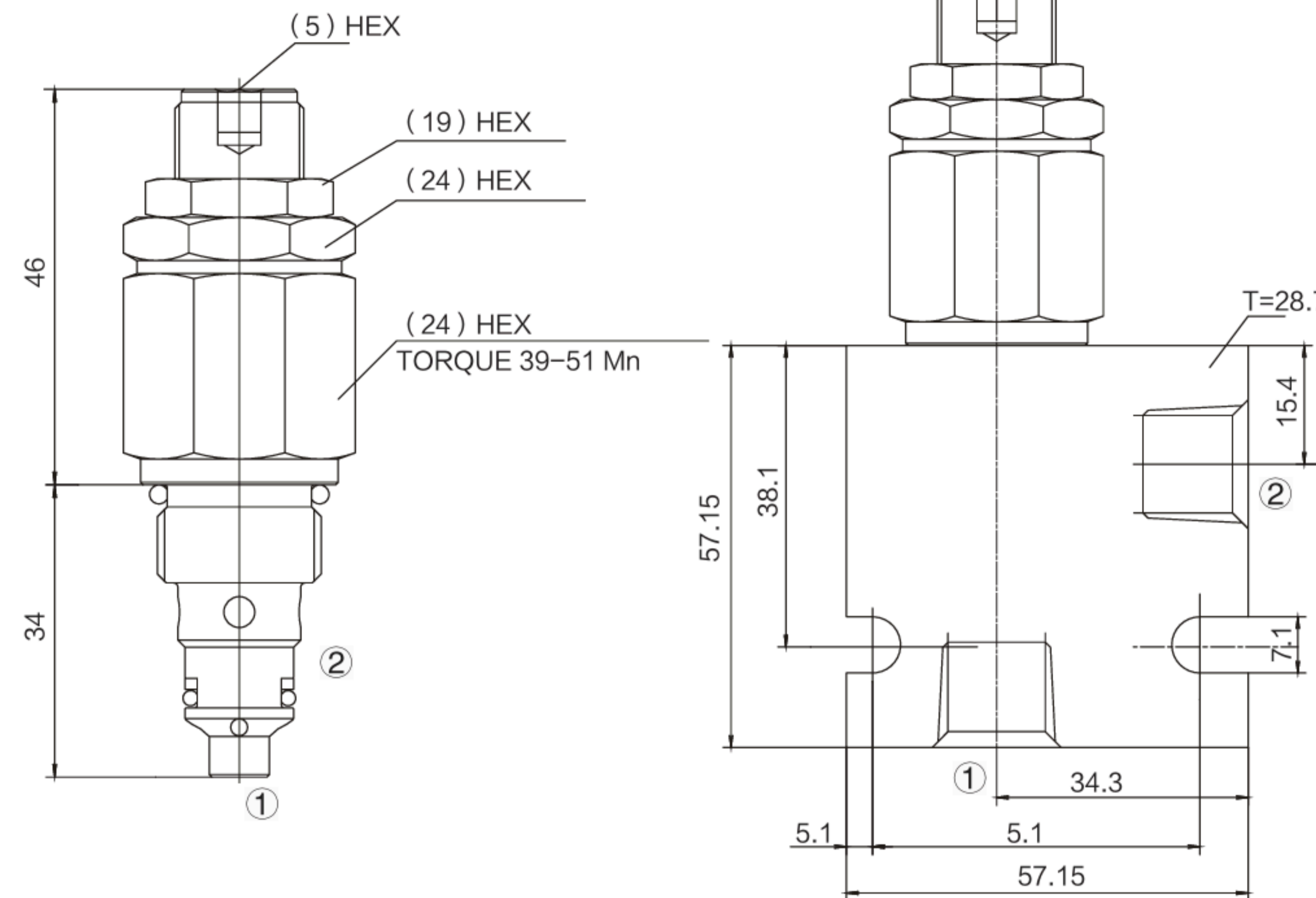
- Operating Pressure:** 350 bar (5000 psi)
- Flow:** See performance chart
- Internal Leakage:** 0.25 cc/minute (5 drops/minute) max. to 80% of nominal setting
- Spring Ranges:**
 - 20–125bar (Pre setting 69bar)
 - 40–180 bar (Pre setting 138bar)
 - 180–350bar (Pre setting 207bar)
- Temperature:** -40 to 120° C
- Fluids:** Mineral-based or synthetics with lubricating properties at viscosities of 7.4 to 420 cSt (50 to 2000 sus);
- Cavity:** T08-2E; See bottom of this catalog.

PERFORMANCE (Cartridge Only)

Pressure Drop vs. Flow
32 cSt/150 ssu oil at 40°C



DIMENSIONS



MATERIALS

- Cartridge: Weight:** 0.23 kg. (0.50 lbs.)
Steel with hardened work surfaces.
Zinc-plated exposed surfaces.
Buna N O-rings and polyester elastomer back-up standard;
Anodized aluminum knobs.
- Special Ported Body: Weight:** 0.16 kg. (0.35 lbs.) Anodized highstrength 6061 T6 aluminum alloy, rated to 207 bar (3000 psi).
Ductile iron bodies available; dimensions may differ.

TO ORDER

INNERV-08		Porting		Spring Range		Seals	
-	-	Cartridge Only	0	10	25-70bar	Buna N	N
-	-	SAE 4	4T	18	50-125bar	Fluorocarbon	V
-	-	SAE 6	6T		(720-1800PSI)		
-	-	G1/4	2G	26	60-180bar		
-	-	G3/8	3G	50	120-350bar		
-	-				(860-2600PSI)		
-	-				(1700-5000PSI)		