

DESCRIPTION

The valve are normally closed,pressure-limiting valves used to protect hydraulics components from pressure transients.

OPERATION

The valve are normally closed,pressure-limiting valves used to protect hydraulics components from pressure transients.Fast opening and closing is gained at the expense of smoothness. when the pressure at inlet(port ①)reaches the valvs setting. the valve starts to open to tank (port ②),throtting flow to limit the pressure rise.These valves have low pressure rise vs.flow and are vary fast.

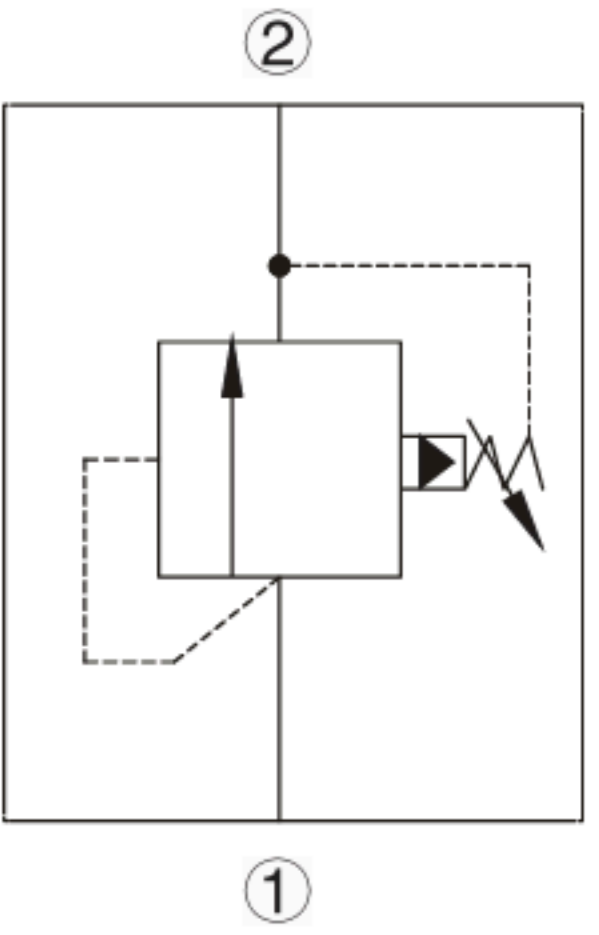
FEATURES

- Suitable for use in cross port relief circuits.if used in cross port relief circuits,consider spool leakage.
- Not suitable for use in load holding applications due to spool leakage.
- Back pressure on the tank port (port2)is directly additive to the valve setting at a 1:1 ratio.
- Hardened poppet and seat for long life.
- Compact size.

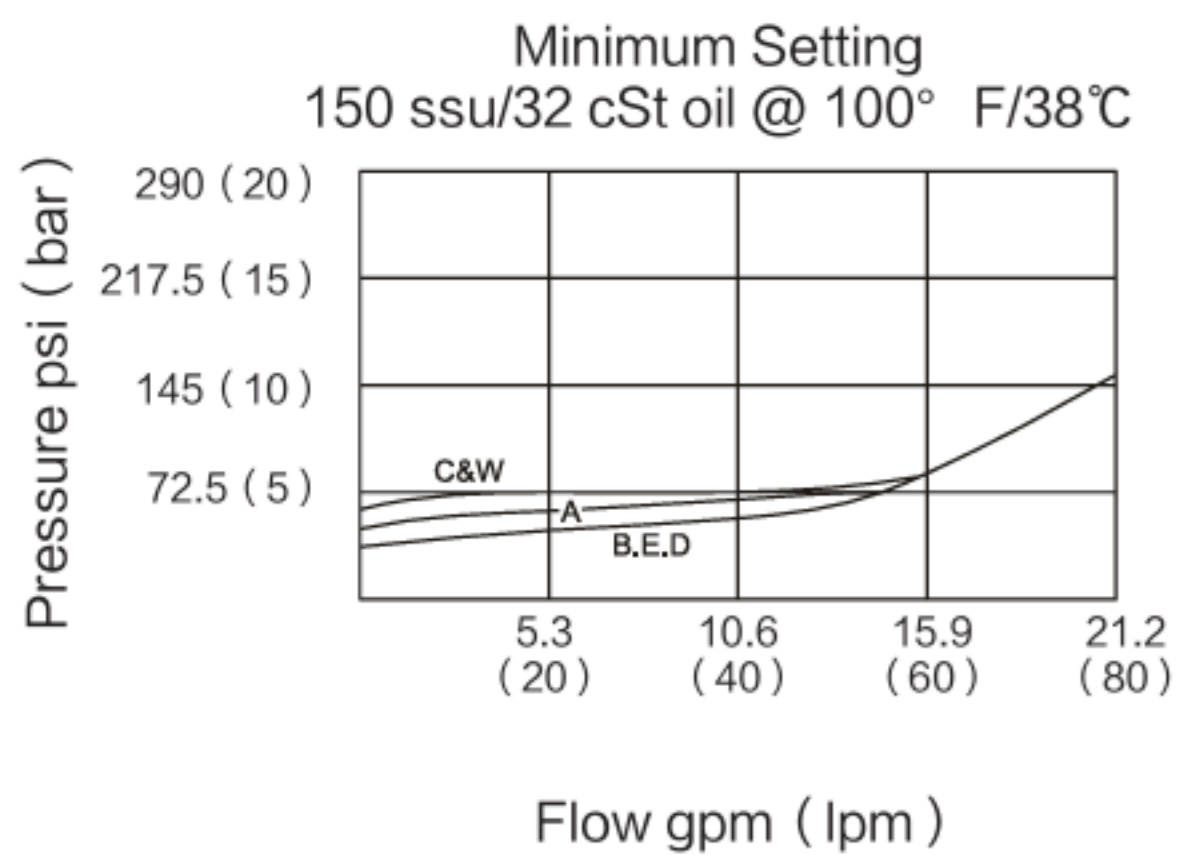
RATINGS

Max. Operating Pressure: 350 bar (5100 psi)
Flow: See Performance Chart
Internal Leakage:30cc/min.at 70 Bar.
 Factory Pressure Setting Established at 4 gpm(15L/min).
Response Time – Typical:2 ms
Standard Spring Ranges:
 A 7 ~ 210 bar Preset=70 bar
 B 3.5 ~ 105 bar Preset=70 bar
 C 10.5 ~ 420 bar P reset=70 bar
 D 1.7 ~ 55 bar Preset=30 bar
 E 1.7 ~ 28 bar Preset=14 bar
 W 10.5 ~ 315 bar Preset=70 bar
Temperature: -40 to 120° C with standard Buna seals
Fluids: Mineral-based or synthetics with lubricating properties at viscosities of 7.4 to 420 cSt (50 to 2000 sus)
Installation: No restrictions
Cavity: T10-2D;See bottom of this catalog.

ISO SYMBOL

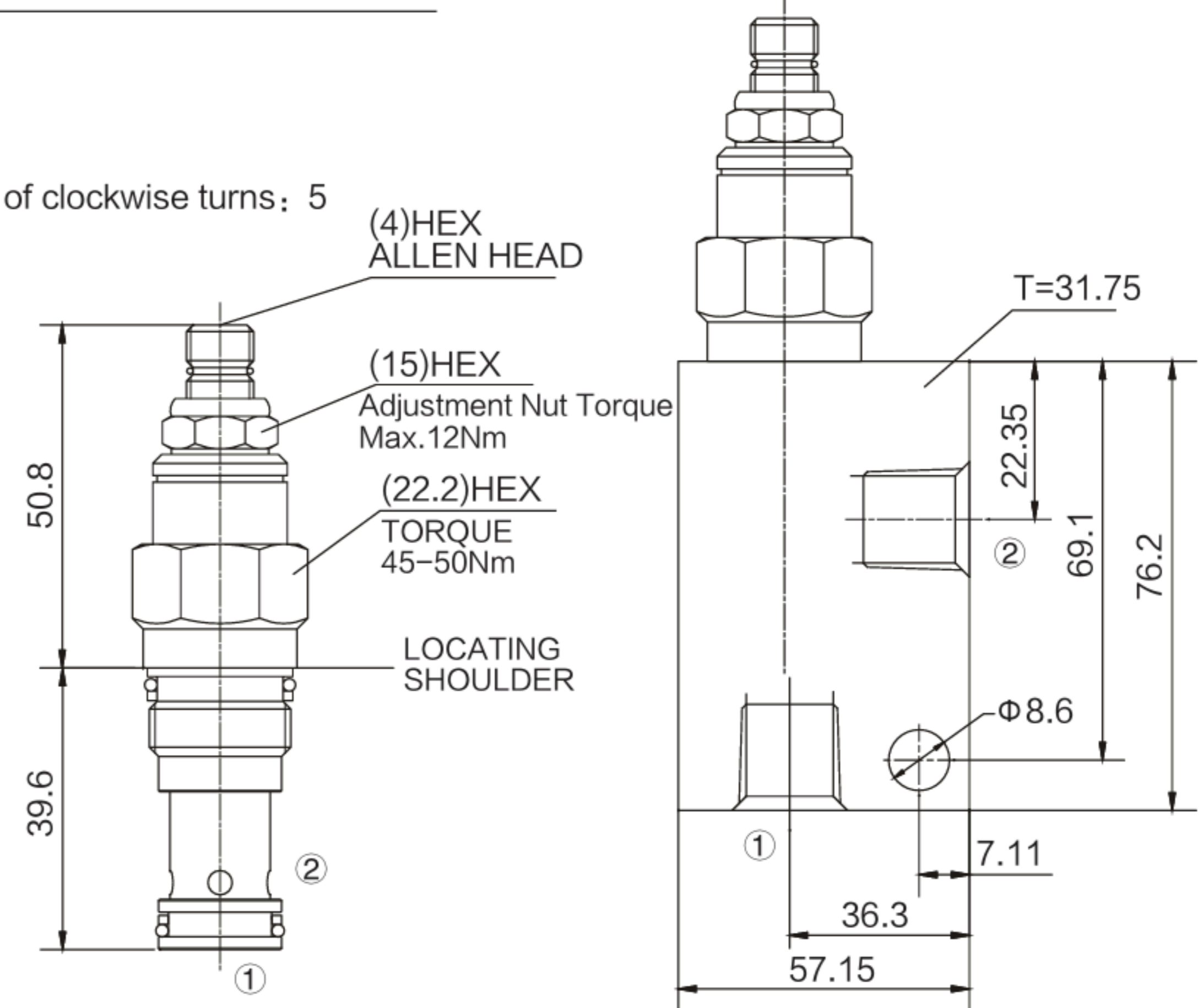


PERFORMANCE (Cartridge Only)



DIMENSIONS

Number of clockwise turns: 5



Unit=Millimeters

TO ORDER

