

DESCRIPTION

A screw-in, cartridge-style, direct-acting, poppet-type, hydraulic relief valve intended for use as a pressure limiting device for common hydraulic circuit protection.

OPERATION

The valve prevents flow from ① to ② until the set crack pressure at ① is achieved. The poppet then unseats allowing flow from ① to ② protecting the circuit from over pressurization.

FEATURES

- Adjustments cannot be backed out of the valve.
- Optional spring ranges to 350 bar.
- Fast response to pressure changes.
- Compact size.
- Quiet response.

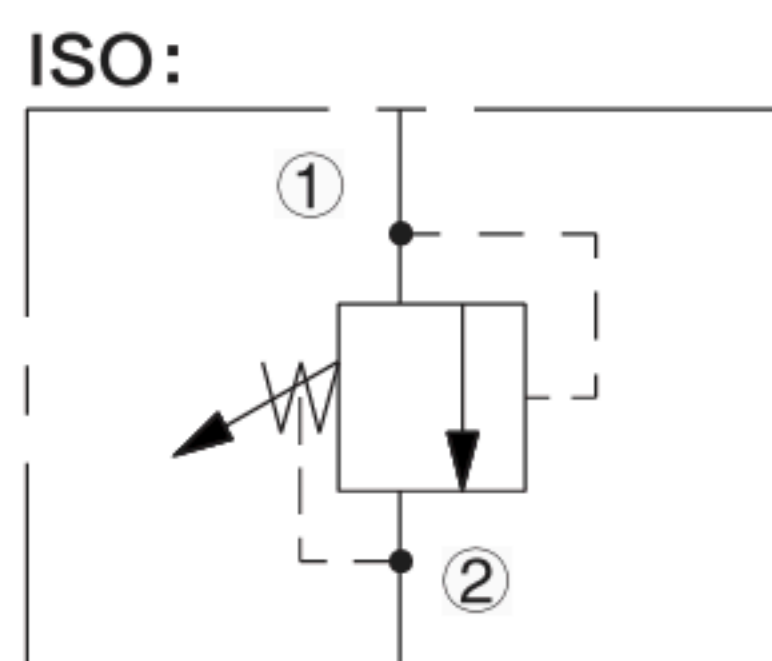
RATINGS

Operating Pressure: 350 bar (5000 psi)
Flow: see performance chart
Temperature: -40 to 120° C with standard Buna seals
Internal Leakage: 0.25 cc/minute (5 drops/minute) max. to 80% of nominal setting
Standard Spring Ranges:

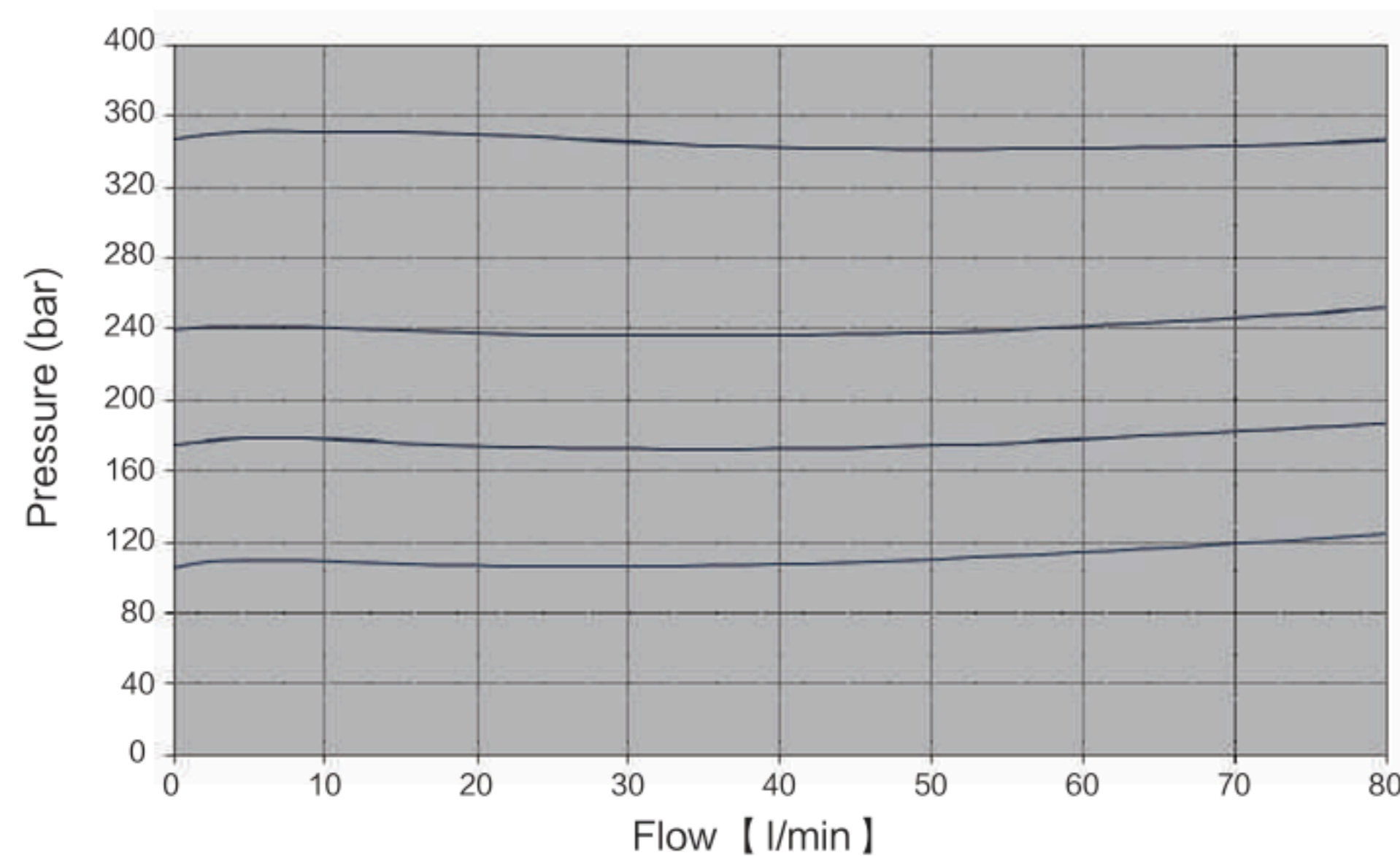
Spring Model Code	Nominal Model Code	Factory Rating
N	5-75bar	
B	76-125bar	
G	126-220bar	
W	221-350bar	

Fluids: Mineral-based or synthetics with lubricating properties at viscosities of 7.4 to 420 cSt (50 to 2000 sus);
Installation: No restrictions;
Cavity: T10-2B; See bottom of this catalog.

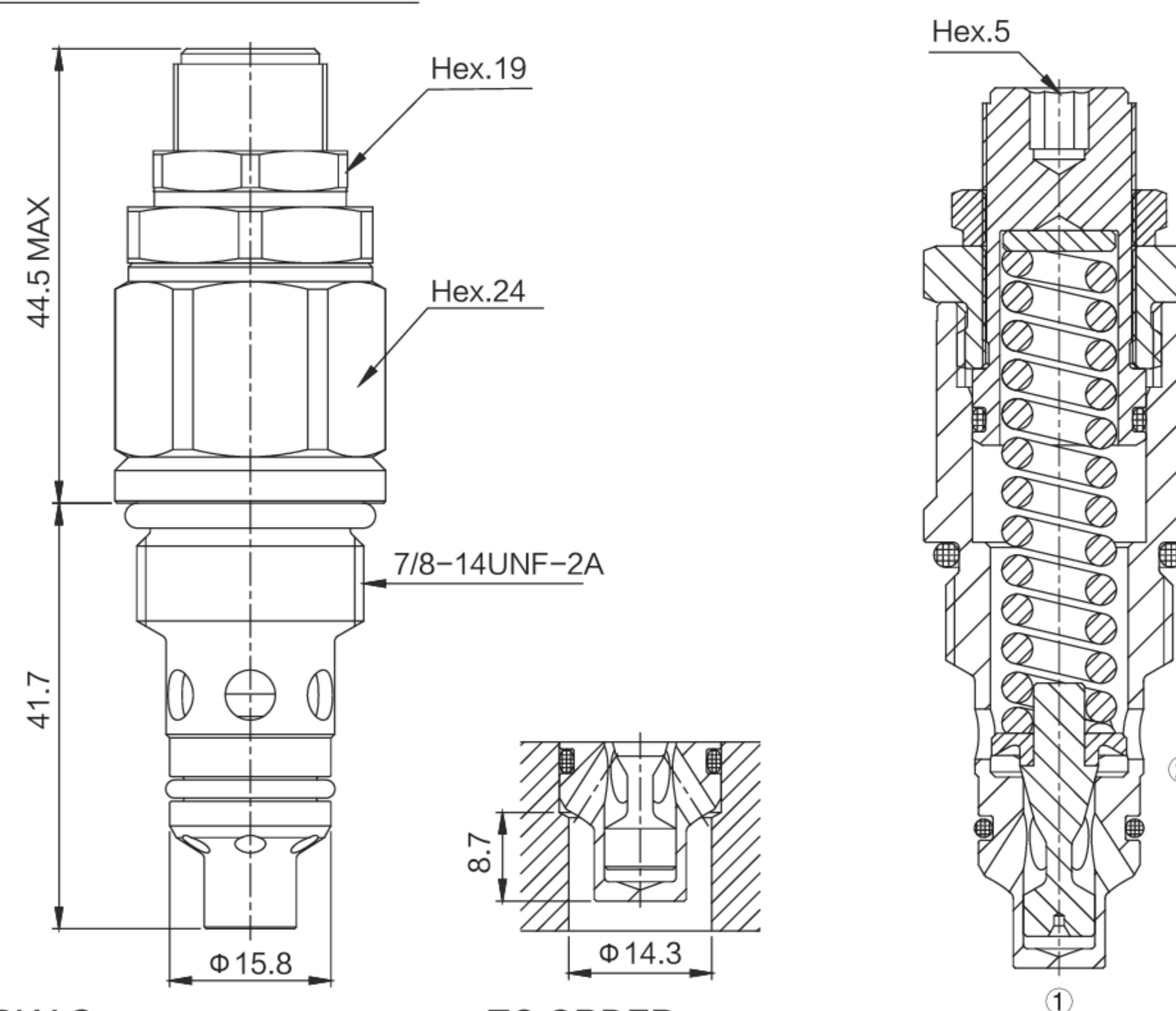
ISO SYMBOL



PERFORMANCE (Cartridge Only)



DIMENSIONS



MATERIALS

Cartridge: Weight: 0.153kg. (0.50 lbs.) Steel with hardened work surfaces. Zinc-plated exposed surfaces. Buna N O-rings and polyester elastomer back-up standard;
Standard Ported Body: Weight: 0.16 kg. (for reference only) Anodized highstrength 6061 T6 aluminum alloy, rated to 207 bar (3000 psi). Ductile iron bodies available; dimensions may differ.

TO ORDER

INRV10-D20

<p>Porting</p> <p>Cartridge Only 0 SAE 6 6T SAE 8 8T 1/4 英寸 BSP* 2B 3/8 英寸 BSP* 3B 1/2 英寸 BSP* 4B</p>	<p>Setting in bar†</p> <p>(Blank) for Adjustable, or Specify, for example: M25 25 bar M100 100 bar</p> <p>Setting in psi†</p> <p>for Adjustable, or Specify, for example: 9.0 9.0 900 psi 23.5 23.5 2350 psi</p>
---	--

Seals Pressure on P Only:

Buna N (Std.)	N
Fluorocarbon	V

Spring Range(bar)

N	5-75
B	76-125
G	126-220
W	221-350