

DESCRIPTION

A screw-in, cartridge-style, direct-acting, poppet-type, hydraulic relief valve intended for use as a pressure limiting device for common hydraulic circuit protection.

OPERATION

The INZF08-09H blocks flow from 1 to 2 until sufficient pressure is present at 2 to force the poppet from its seat.

FEATURES

- Adjustments cannot be backed out of the valve.
- When adjusting, the spring will not be pressed.
- Optional spring ranges to 350bar (5000 psi).
- Rapid response to pressure surges.
- Compact structure.
- Noise free response.

RATINGS

Operating Pressure: 350 bar (5000 psi)Proof Pressure: 350 bar (

Flow: See performance chart

Internal Leakage: 30 cc/minute max. to75% ~ 80% of nominal setting

Spring Ranges:

40-123bar (Pre setting 120bar)

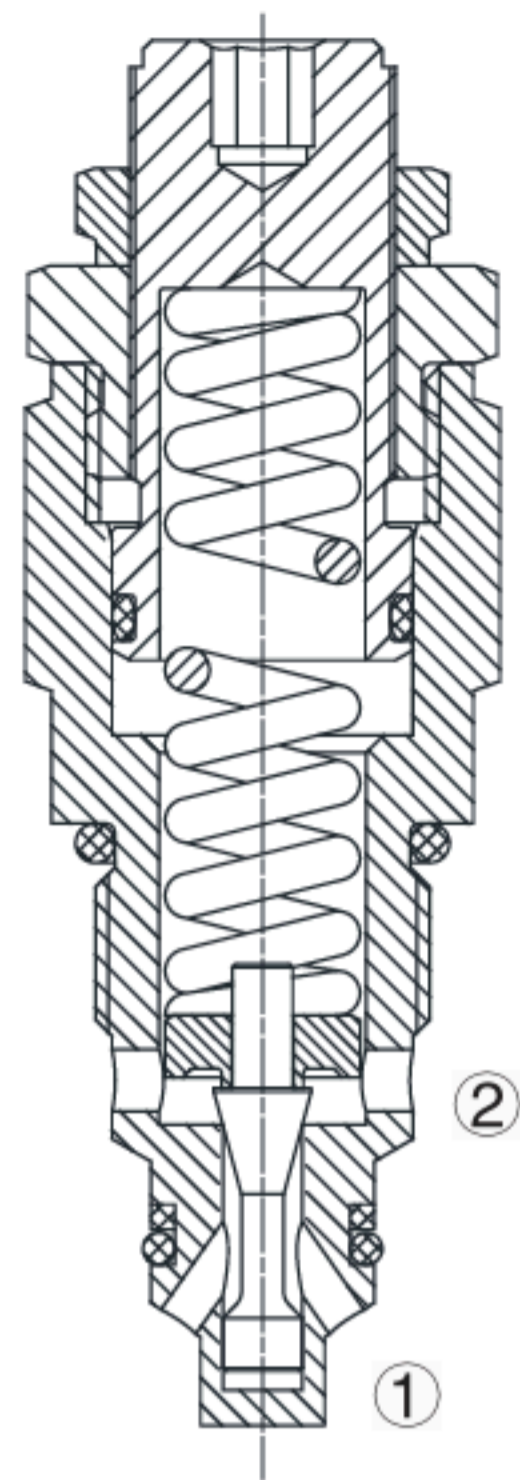
97-210 bar (Pre setting 200bar)

180-350bar (Pre setting 250bar)

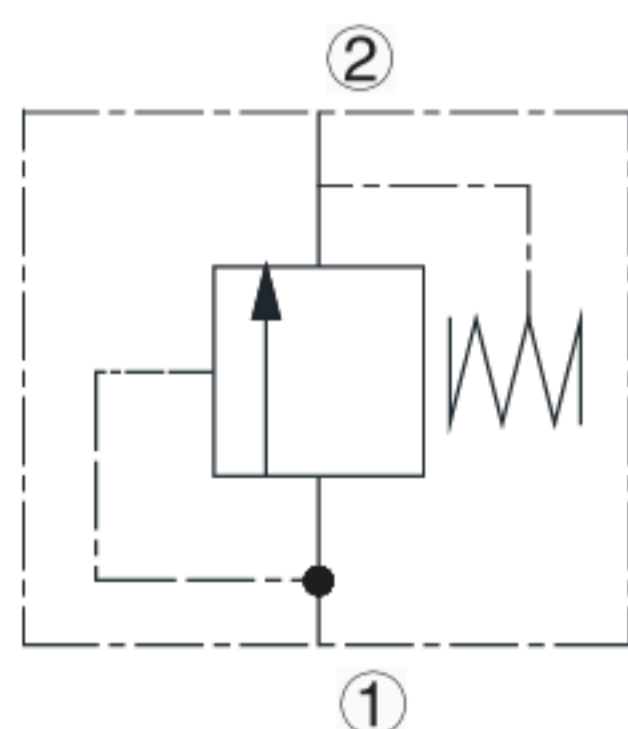
Temperature: -40 to 120° C

Fluids: Mineral-based or synthetics with lubricating properties at viscosities of 7.4 to 420 cSt (50 to 2000 sus);

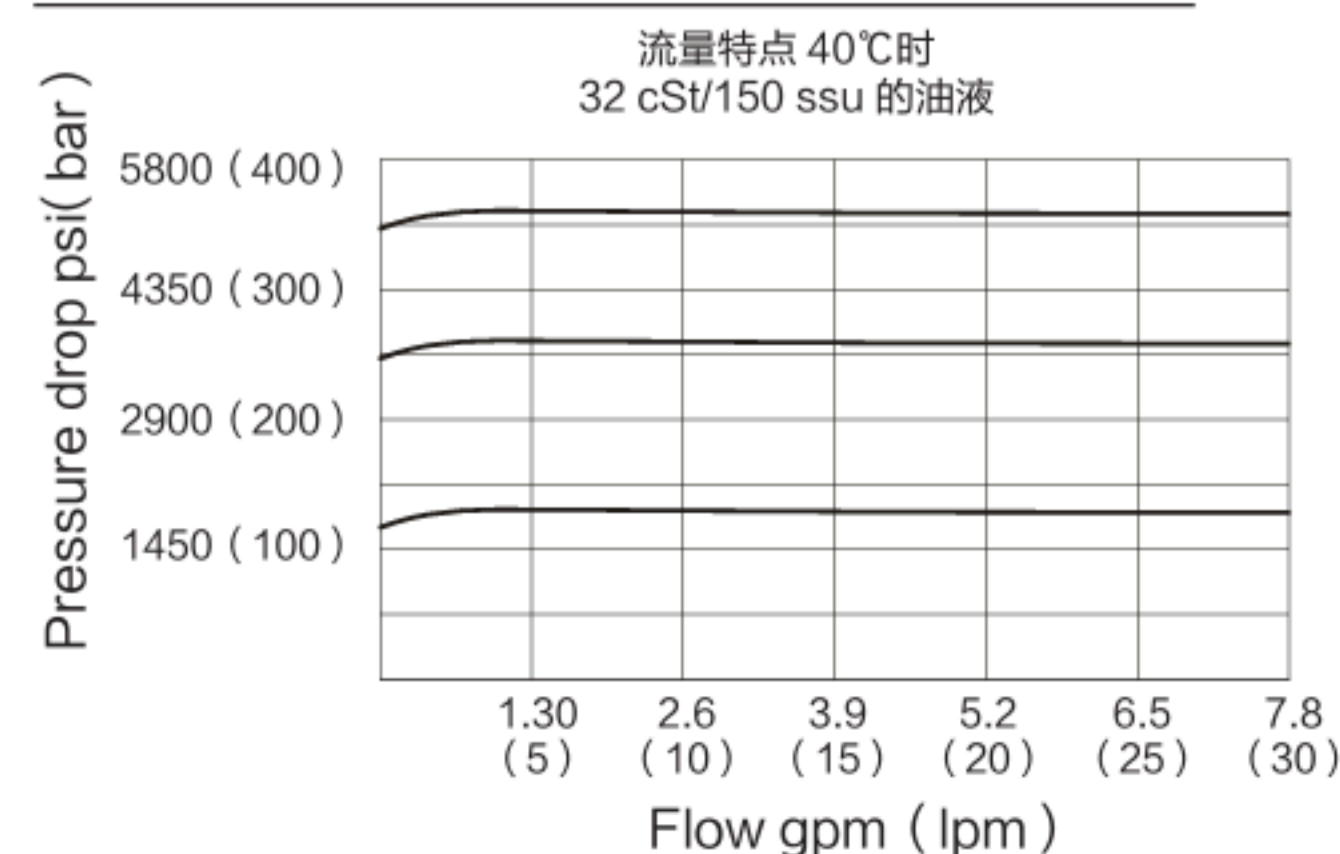
Cavity: T12-2G; See bottom of this catalog.



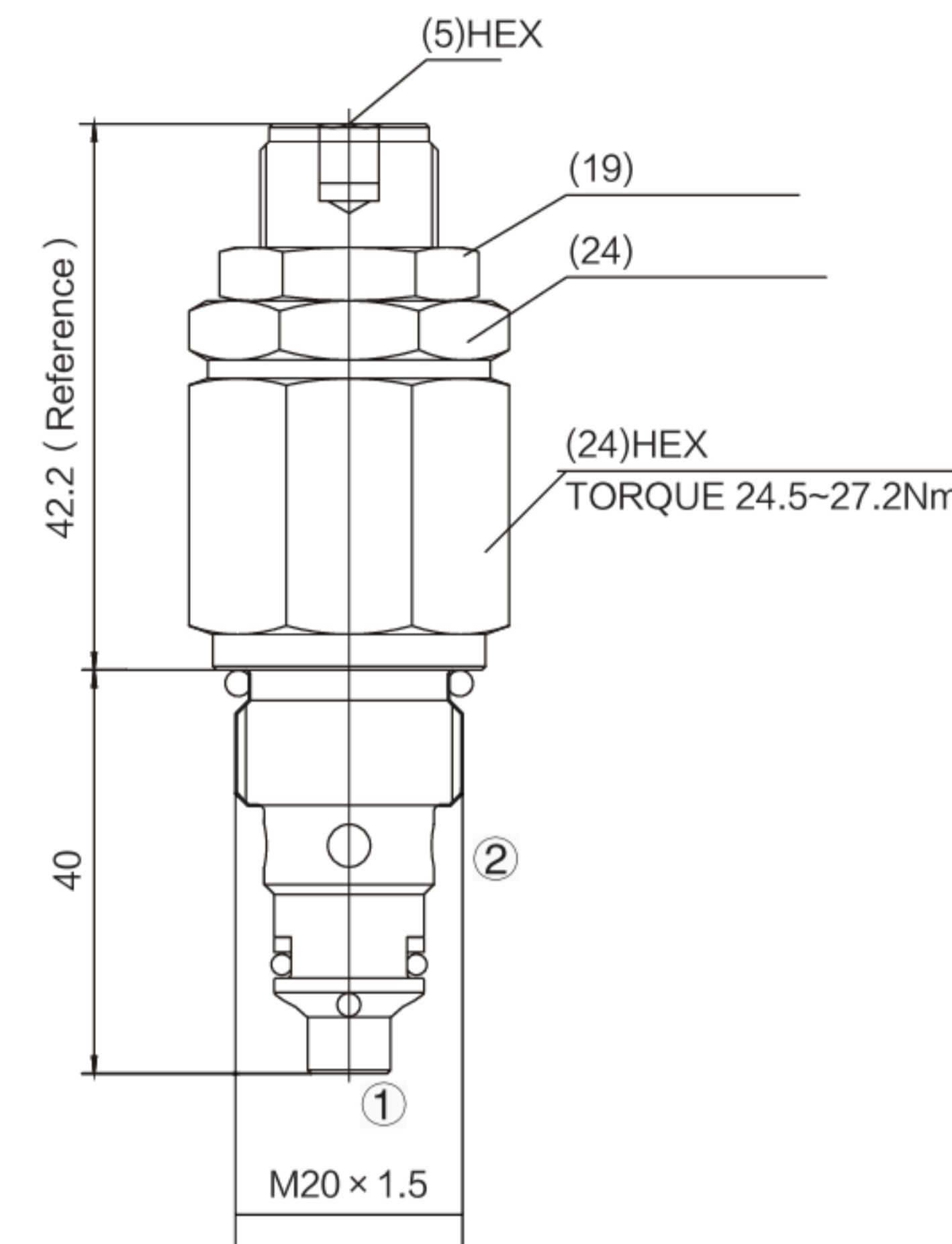
ISO SYMBOL



PERFORMANCE (Cartridge Only)



DIMENSIONS



MATERIALS

Cartridge: Weight: 0.23 kg. (0.50 lbs.)

Steel with hardened work surfaces.

Zinc-plated exposed surfaces.

Buna N O-rings and polyester

elastomer back-up standard;

Anodized aluminum knobs.

Standard Ported Body: Weight:

0.16 kg. (0.35 lbs.) Anodized

highstrength 6061 T6 aluminum

alloy, rated to 207 bar (3000 psi).

Ductile iron bodies available;

dimensions may differ.

TO ORDER

INZF08-09H

Maximum Relief Pressure
1/4 in. Hex Allen Head 03
Preset,hidden 05

Spring Range
40-123bar 05
97-210bar 10
178-350bar 15