

DESCRIPTION

A screw-in, cartridge-style, direct-acting, spool-type, hydraulic sequence valve with external pilot and internal spring chamber drain.

OPERATION

In its steady state, INPS08-32 blocks flow from ③ to ②. On attainment of a pre-determined pressure at ①, the valve shifts to open ③ to ②. Back pressure at ② will have a direct (1:1) effect on the valve's setting because the spring chamber is vented ou ②.

FEATURES

- Adjustments cannot be backed out of the valve.
- Adjustments prohibit springs from going solid.
- Hardened spool and cage for long life.
- Optional spring ranges to 165.5 bar (2400 psi) .
- Compact size.

RATINGS

Operating Pressure:240 bar (3500 psi)

FLOW:See Performance Chart

Internal Leakage:

在 82 cc/minute (5 cu. in./minute) max. to 90% of nominal setting

Standard Spring Ranges:

3.4 ~ 20.7 bar (50 ~ 300 psi)

6.9 ~ 41.4 bar (100 ~ 600 psi)

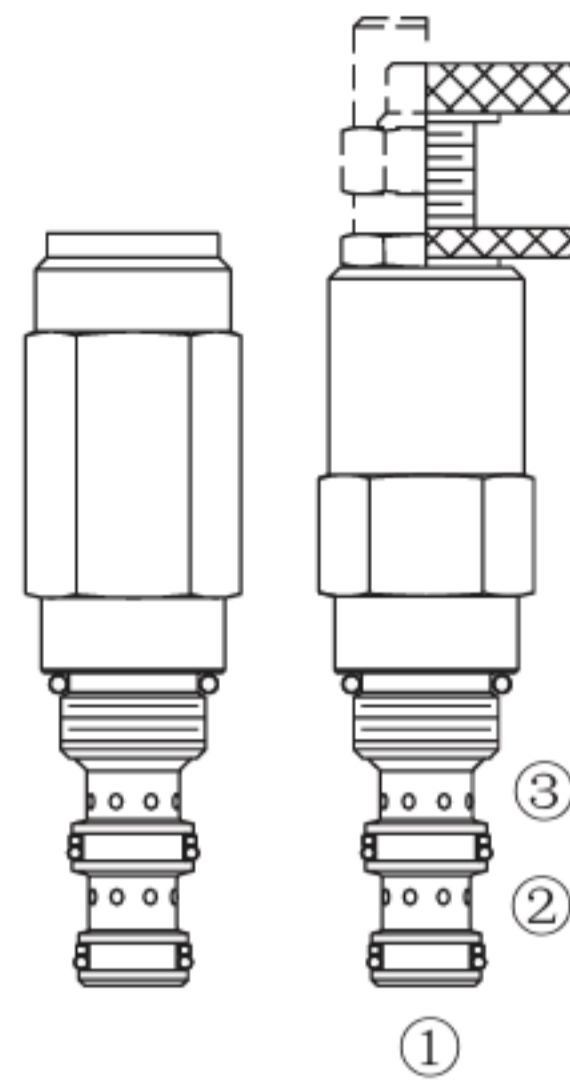
10.3 ~ 89.7 bar (150 ~ 1300 psi)

20.7 ~ 165.5 bar (300 ~ 2400 psi)

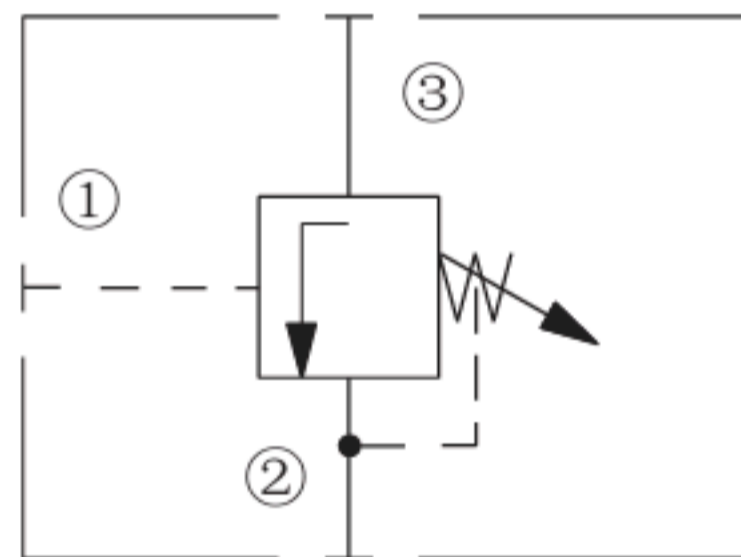
Temperature:-40°C ~ 120°C (with Buna N seals)

Fluids:Mineral-based or synthetics with lubricating properties at viscosities of 7.4 to 420 cSt (50 to 2000 ssu)

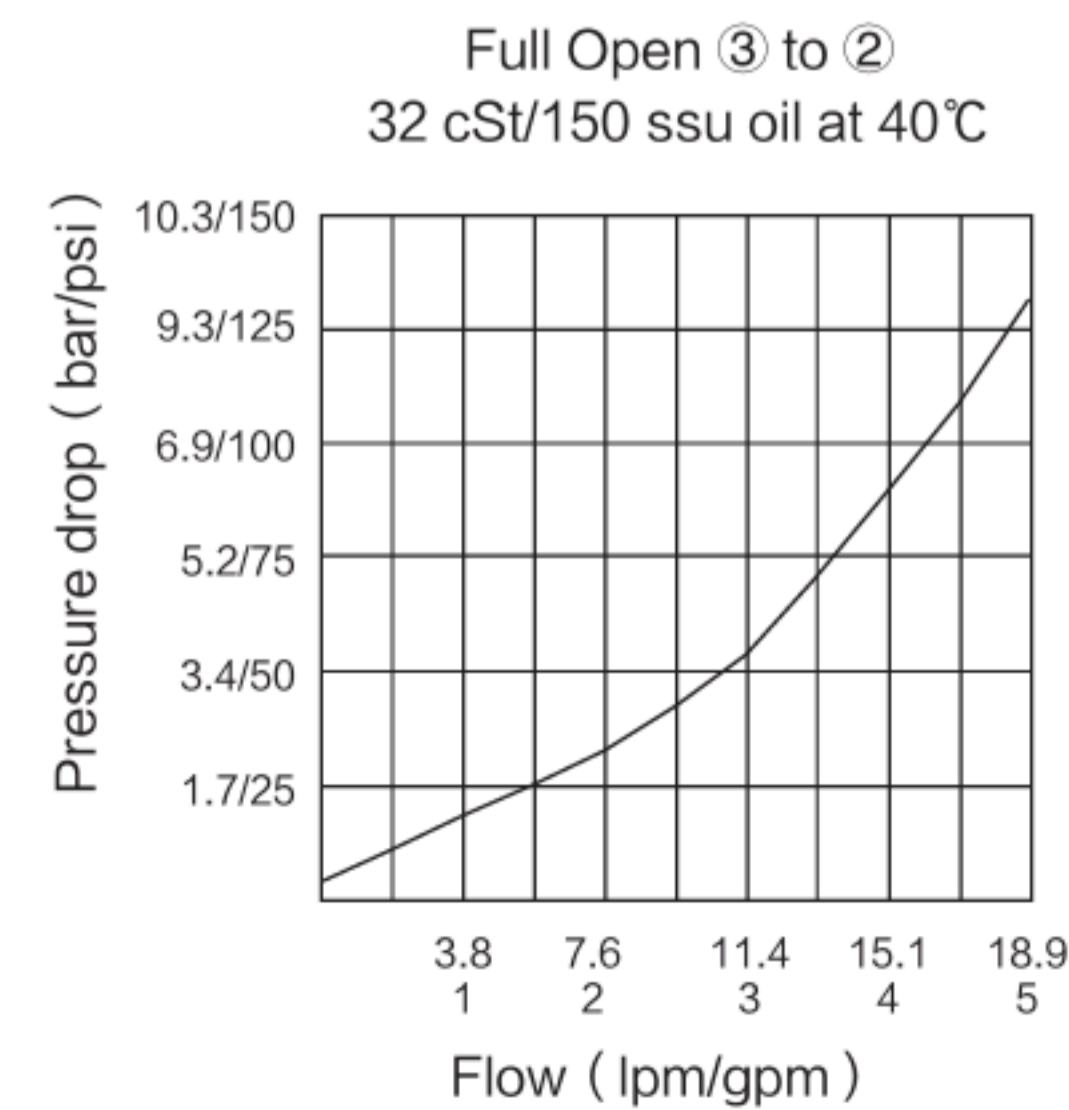
Cavity:T08-3A; See bottom of this catalog.



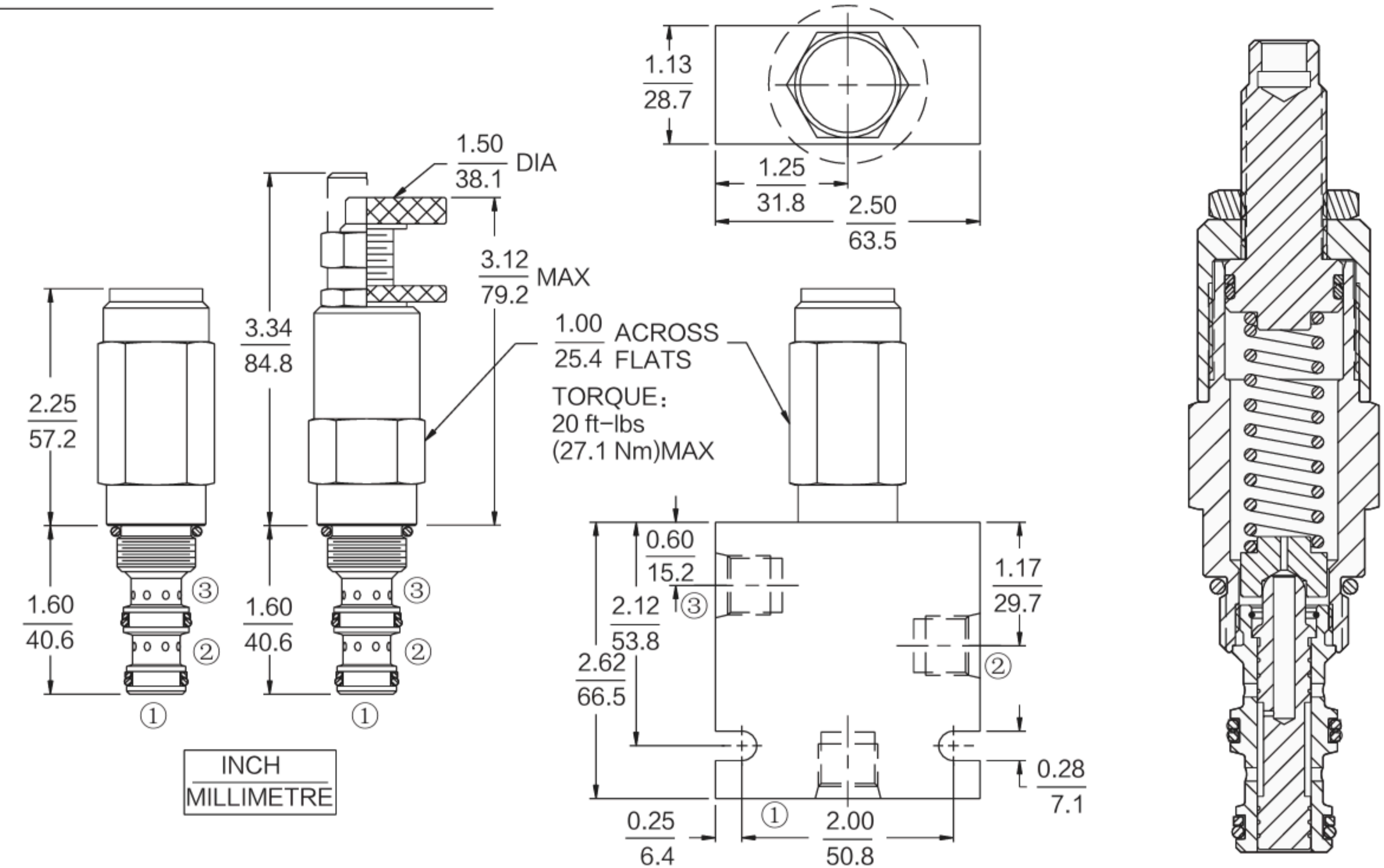
ISO SYMBOL



PERFORMANCE (Cartridge Only)



DIMENSIONS



MATERIALS

Cartridge: Weight:0.25 kg (0.55 lbs) ; INPS08-32

Steel with hardened work surfaces.

Zinc-plated exposed surfaces.

Buna N O-rings and back-ups standard. Anodized aluminum knobs.

BODY:Weight:0.26 kg (0.60lbs) ;

Anodized highstrength 6061 T6 aluminum alloy, rated to 240 bar (3500 psi) ; Ductile iron bodies available; dimensions may differ.

TO ORDER

Adjustment Option

- 1/4 in. Hex Allen Head A
- 1-1/2 in. Dia. Alum. Knobs B
- Option A with Cover Cap C
- Factory Preset Non-Adj. F
- Factory Preset Hidden Adj. H
- Option C w/Lockwire Holes L

Porting

- Cartridge Only 0
- SAE 4 4T
- SAE 6 6T
- 3/8 in. BSP* 3B

Seals

- Buna N
- Fluorocarbon V

Setting in bar†

- (Blank) for Adjustable, or Specify, for example: M25 25 bar M100 100 bar

Setting in psi†

- (Blank) for Adjustable, or Specify, for example: 9.0 900 psi 23.5 2350 psi

Spring Range

- 3 3.5 to 20.7 bar (50 to 300 psi)
- 6 6.9 to 41.1 bar (100 to 600 psi)
- 13 10.3 to 89.7 bar (150 to 1300 psi)
- 24 20.7 to 165.5 bar (300 to 2400 psi)

†Adjustable valves will be