

**DESCRIPTION**

A screw-in, cartridge-style, direct-acting, spool-type, hydraulic sequence valve with internal pilot and spring chamber drain, designed to direct oil to a secondary circuit once a pre-determined pressure level is attained in the primary circuit.

**OPERATION**

In its steady state, the INPS10-30 blocks flow at ①, while allowing flow to pass from ② to ③. On attainment of a pre-determined pressure at ①, the cartridge shifts to open ① to ②.

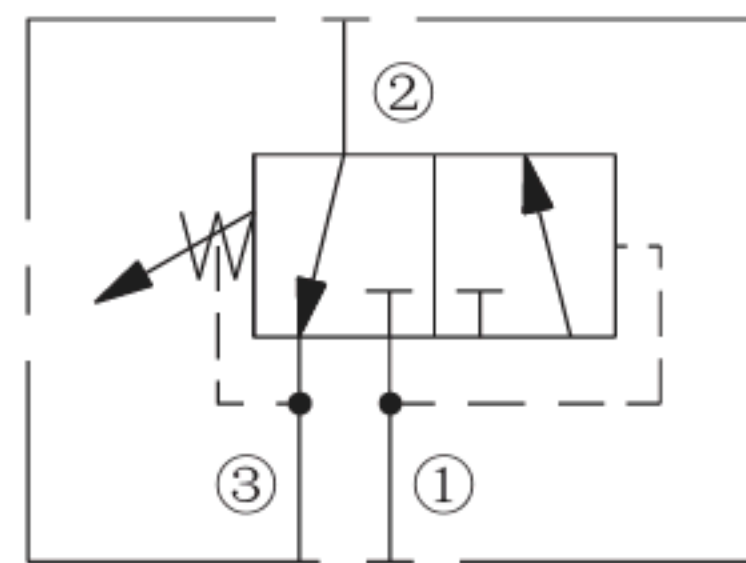
**FEATURES**

- Adjustments cannot be backed out of the valve.
- Adjustments prohibit springs from going solid.
- Hardened spool and cage for long life.
- Optional spring ranges to 144.8 bar ( 2100 psi ) .
- Industry common cavity.

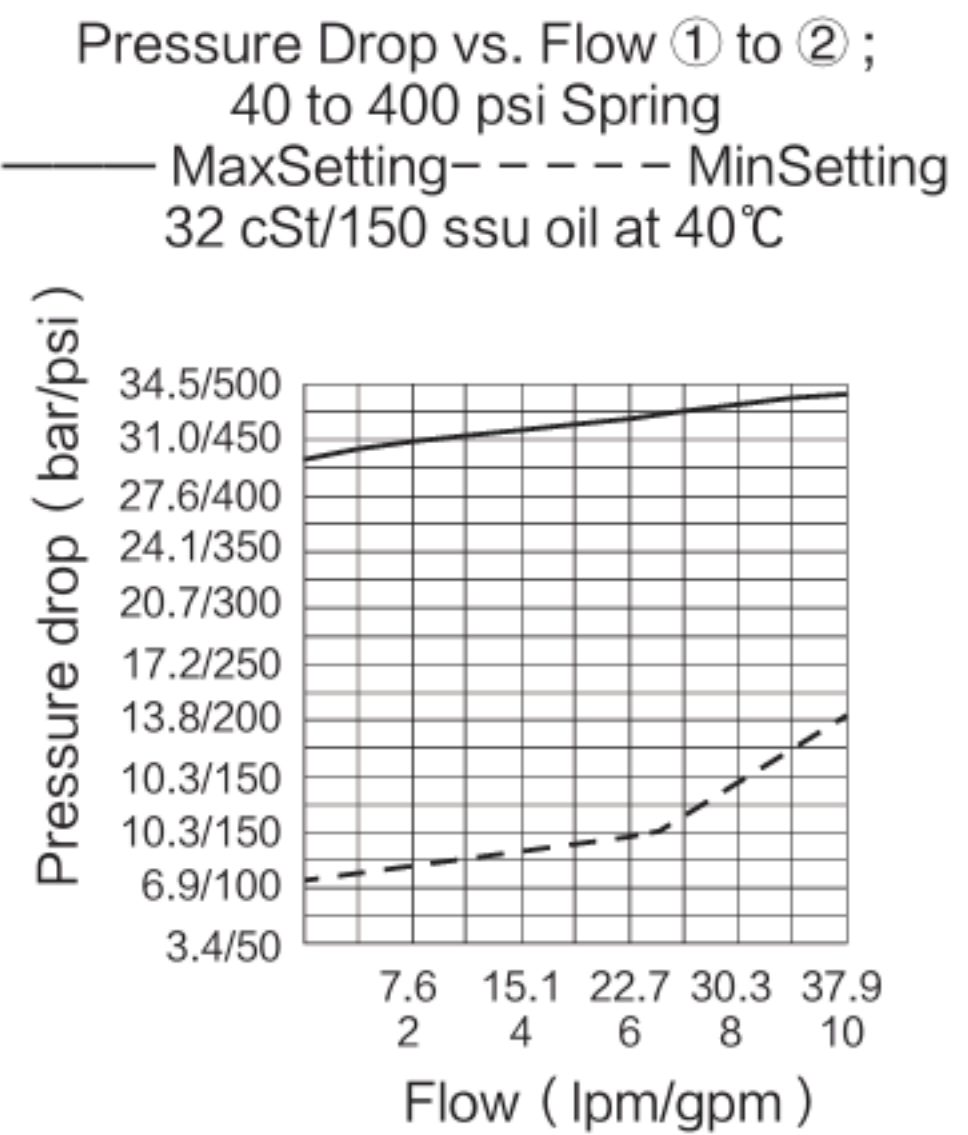
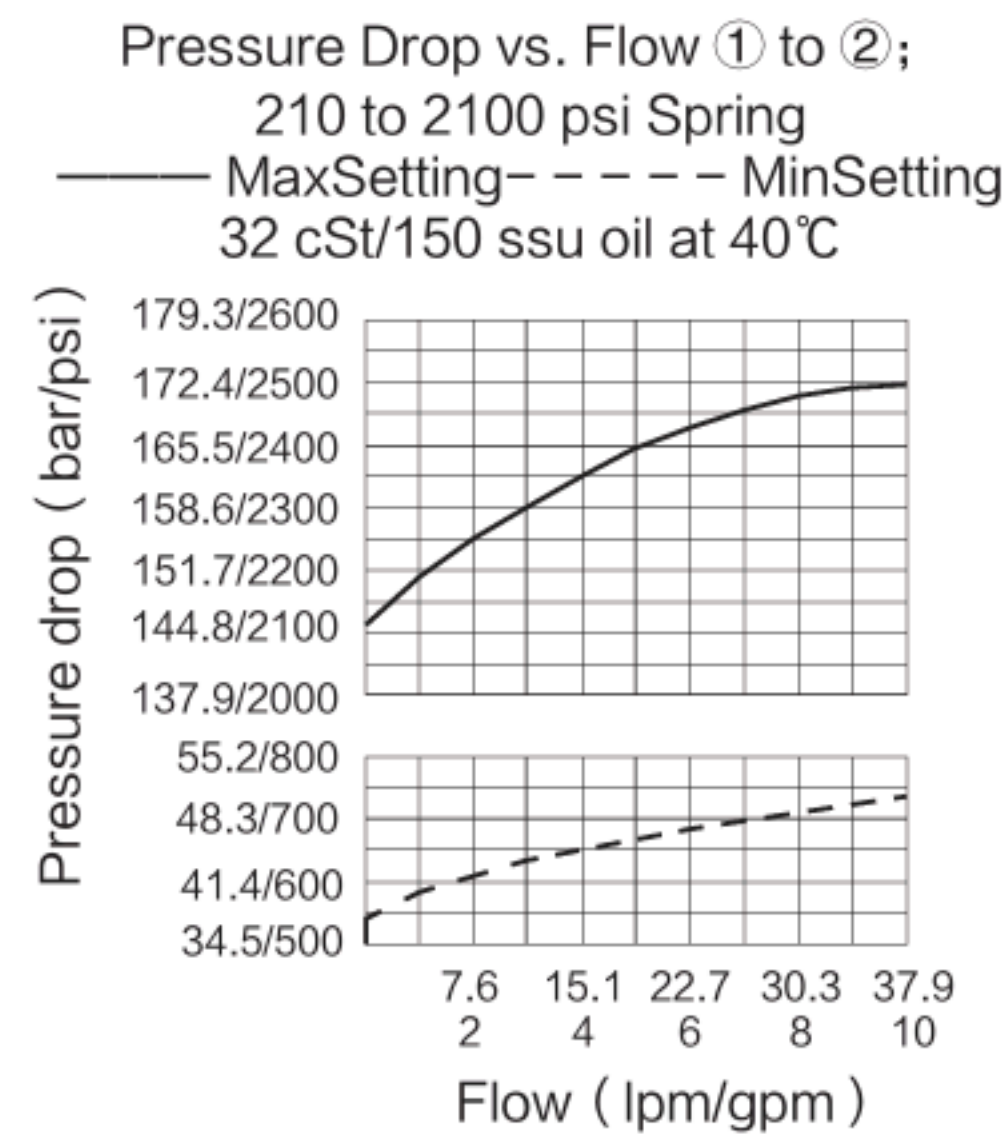
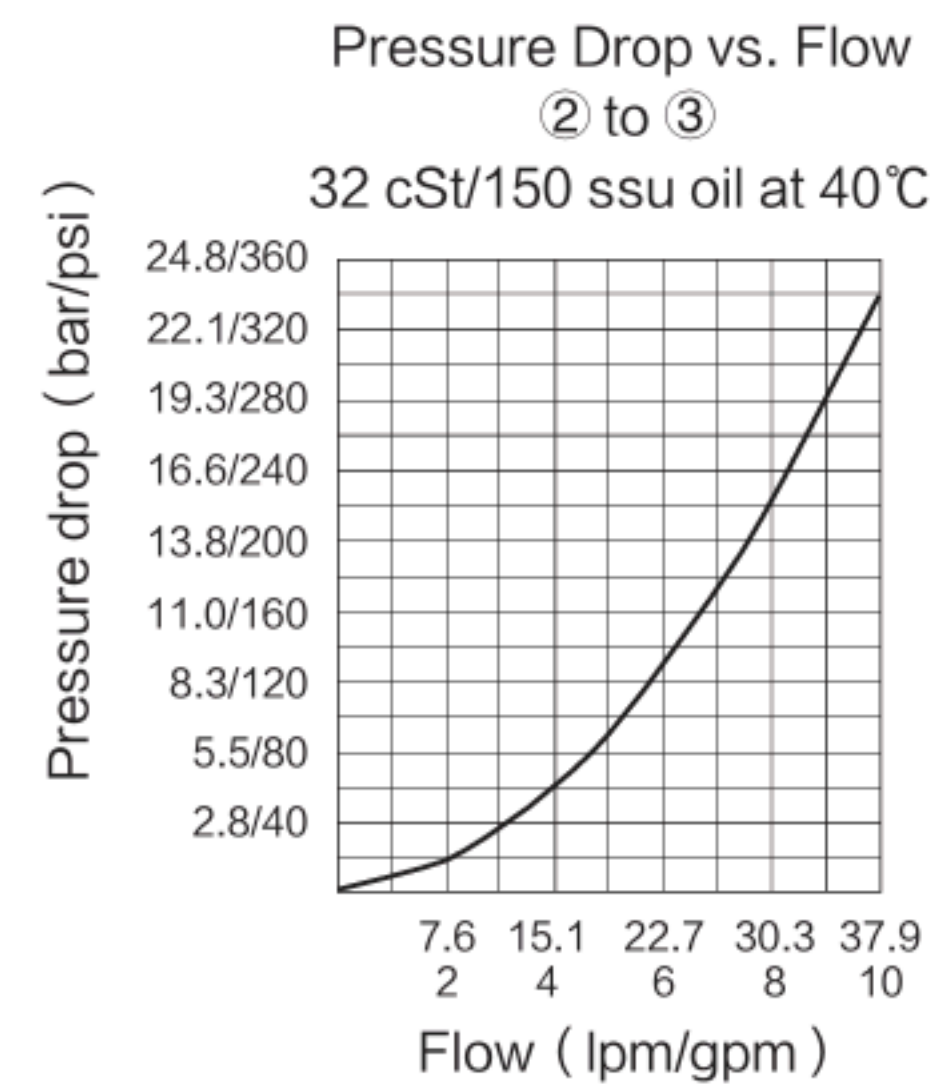
**RATINGS**

**Operating Pressure:** 207 bar ( 3000 psi )  
**Flow:** See Performance Chart  
**Internal Leakage:** ① to ②:  
 82 cc/minute ( 5 cu. in./minute ) max. to 85% of nominal setting  
**Standard Spring Ranges:**  
 2.8 ~ 27.6 bar ( 40 ~ 400 psi )  
 14.5 ~ 144.8 bar ( 210 ~ 2100 psi )  
**Temperature:** -40°C ~ 120°C ( with Buna N seals )  
**Fluids:** Mineral-based or synthetics with lubricating properties at viscosities of 7.4 to 420 cSt ( 50 to 2000 ssu )  
**Cavity:** T10-3A; See bottom of this catalog.

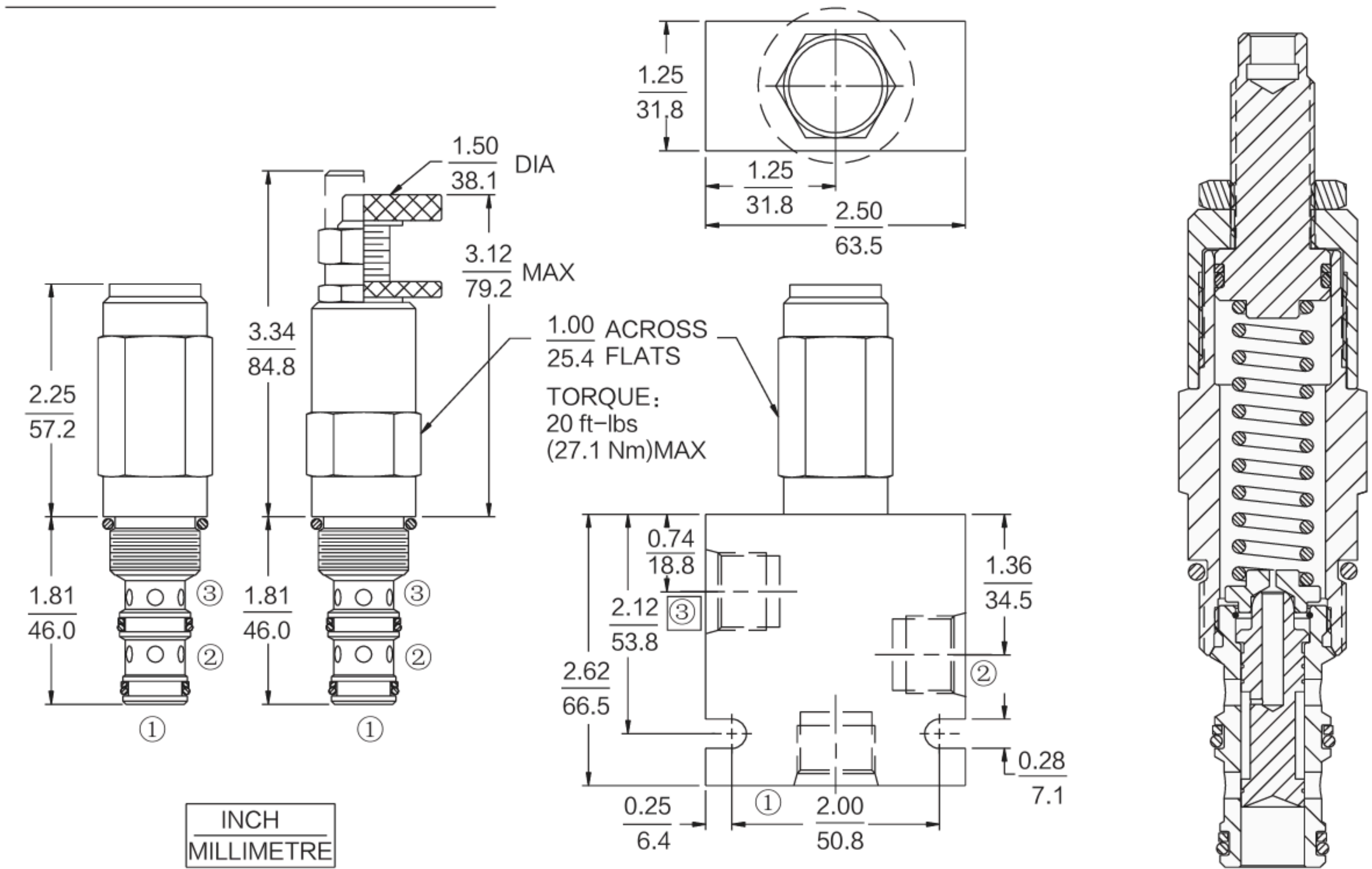
**ISO SYMBOL**



**PERFORMANCE (Cartridge Only)**



**DIMENSIONS**



**MATERIALS**

**Cartridge:** Weight: 0.27 kg ( 0.60 lbs ) ; INPS10-30  
 Steel with hardened work surfaces.  
 Zinc-plated exposed surfaces. Buna N O-rings and polyester standard. Anodized aluminum knobs and caps.  
**BODY:** Weight: 0.36 kg ( 0.80 lbs ) ;  
 Anodized highstrength 6061 T6 aluminum alloy, rated to 240 bar ( 3500 psi ) ;  
 Ductile iron bodies available; dimensions may differ.

**TO ORDER**

**Adjustment Option**

- 1/4 in. Hex Allen Head A
- 1-1/2 in. Dia. Alum. Knobs B
- Option A with Cover Cap C
- Factory Preset Non-Adj. F
- Factory Preset Hidden Adj. H
- Option C w/Lockwire Holes L

**Porting**

- Cartridge Only 0
- SAE 6 6T
- SAE 8 8T
- 1/4 in. BSP\* 2B
- 3/8 in. BSP\* 3B

**Seals**

- Buna N
- Fluorocarbon V

**Setting in bar†**

- (Blank) for Adjustable, or Specify, for example:  
 M25 25 bar  
 M100 100 bar
- Setting in psi†**  
 (Blank) for Adjustable, or Specify, for example:  
 9.0 900 psi  
 21.0 2100 psi

**Spring Range**

- 4 2.8 to 27.6 bar ( 40 to 400 psi )
- 21 14.5 to 144.8 bar ( 210 to 2100 psi )

†Adjustable valves will be preset to approx. 50%