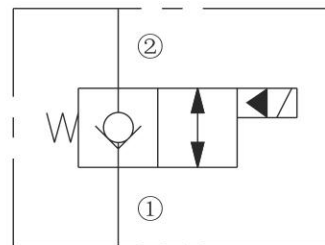
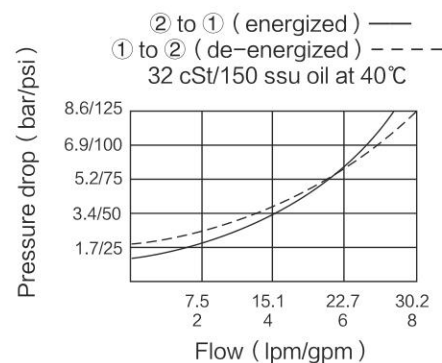


ISO SYMBOL



PERFORMANCE (Cartridge Only)



DESCRIPTION

A solenoid-operated, 2-way, normally closed, poppet-type, screw-in hydraulic cartridge valve, designed for low leakage blocking and load holding applications.

OPERATION

When de-energized, INSV08-22 acts as a check valve, allowing flow from ① to ②, while blocking flow from ② to ①.

When energized, the poppet lifts to open the ② to ① flow path. In this mode, bidirectional flow is allowed.

Operation of Manual Override Option:

To override, push button in, twist counter clockwise 180° and release. In this position, the valve will remain open. To return to normal operation, push button in, twist clockwise 180° and release. Override will be detented in this position.

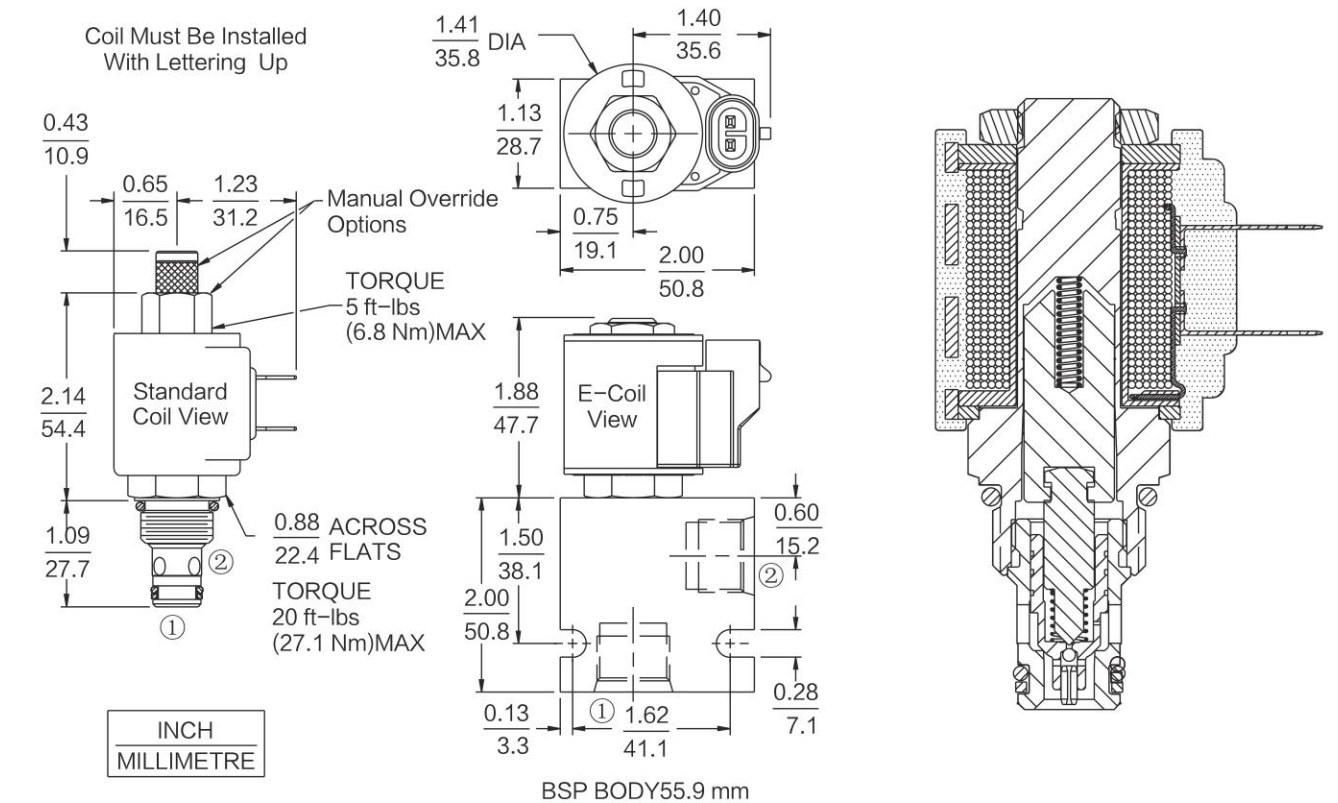
FEATURES

- Continuous-duty rated solenoid.
- Hardened seat for long life and low leakage.
- Optional coil voltages and terminations.
- Efficient wet-armature construction.
- Cartridges are voltage interchangeable.
- Manual Override Options.
- Optional waterproof E-Coils rated up to IP69K.
- Unitized, molded coil design.
- Industry common cavity.
- Compact size.

RATINGS

Operating Pressure: 207 bar (3000 psi)
Flow: See Performance Chart
Internal Leakage: 0.15 cc/minute (3 drops/minute) max. at 207 bar (3000 psi)
Temperature: -40°C to 120°C, with Buna N seals
Coil Duty Rating: Continuous from 85% to 115% of nominal voltage
Initial Coil Current Draw at 20°C:
Standard Coil: 1.2 amps at 12 VDC; 0.13 amps at 115 VAC (full wave rectified).
E-Coil: 1.4 amps at 12 VDC; 0.7 amps at 24 VDC
Minimum Pull-in Voltage: 85% of nominal at 207 bar (3000 psi)
Fluids: Mineral-based or synthetics with lubricating properties at viscosities of 7.4 to 420 cSt (50 to 2000 ssu)
Cavity: T08-2E; See bottom of this catalog.

DIMENSIONS



MATERIALS

Cartridge: Weight: 0.09kg (0.20lbs) INSV08-22
 Steel with hardened work surfaces.
 Zinc-plated exposed surfaces; Buna N O-rings and back-ups standard.

Standard Ported Body: Weight: 0.16kg (0.35lbs);
 Anodized high strength 6061 T6 aluminum alloy,
 rated to 240 bar (3500 psi);
 Ductile iron bodies available;
 dimensions may differ.

Standard Coil: Weight: 0.11kg (0.25lbs); Unitized thermoplastic encapsulated,
 Class H high temperature magnet wire.

E-Coil: Weight: 0.14kg (0.3lbs); Perfect wound, fully encapsulated with rugged external metal shell;
 Rated up to IP69K with integral connectors.

TO ORDER

Options	Voltage Std. Coil	Termination (VDC) Std. Coil
None (Blank)	0 Less Coil**	DS Dual Spades
Manual Override M	10 10 VDC†	DG DIN 43650
Screen S	12 12 VDC	DL Leadwires (2)
	24 24 VDC	DLW Leads w/ Weatherpak® Connectors
	36 36 VDC	DR Deutsch DT04-2P
	48 48 VDC	
	24 24 VAC	Termination (VAC) Std. Coil
	115 115 VAC	AG DIN 43650
	230 230 VAC	AP 1/2 in. Conduit
		Termination (VDC) E-Coil
		ER Deutsch DT04-2P (IP69K Rated)
		EL Leadwires (2)
		EY Metri-Pack® 150 (IP69K Rated)
		Coils with internal diode are