

DESCRIPTION

A solenoid-operated, two-way, normally closed, direct-acting, needle-type, screw-in hydraulic cartridge valve, designed to function as a blocking or load-holding device for low flow circuits.

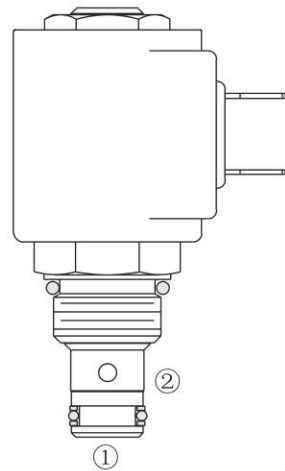
OPERATION

When de-energized, the SV08-26 blocks flow in both directions, to pressure rating. If pressure on 1 exceeds the rating, flow may pass from 1 to 2.

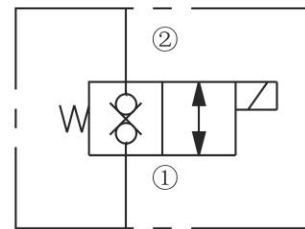
When energized, the needle point lifts to open the valve bidirectionally. Port 2 is the recommended load-holding port.

Operation of Manual Override Option: To override, push button in, twist counterclockwise 180° and release. In this position, the valve will remain open.

To return to normal operation, push button in, twist clockwise 180° and release. Override will be detented in this position.



ISO SYMBOL



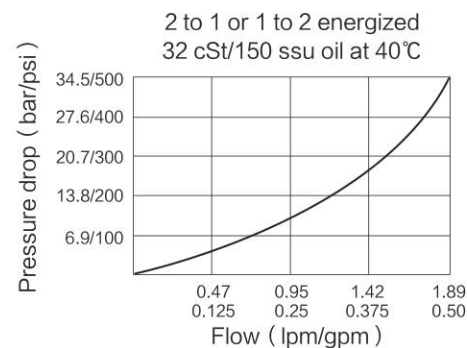
FEATURES

- Continuous-duty rated solenoid.
- Hardened seat for long life and low leakage.
- Optional coil voltages and terminations.
- Cartridges are voltage interchangeable.
- Unitized, molded coil design.
- Industry common cavity.
- Manual override option.
- Optional waterproof E-Coils rated up to IP69K.
- Compact size.

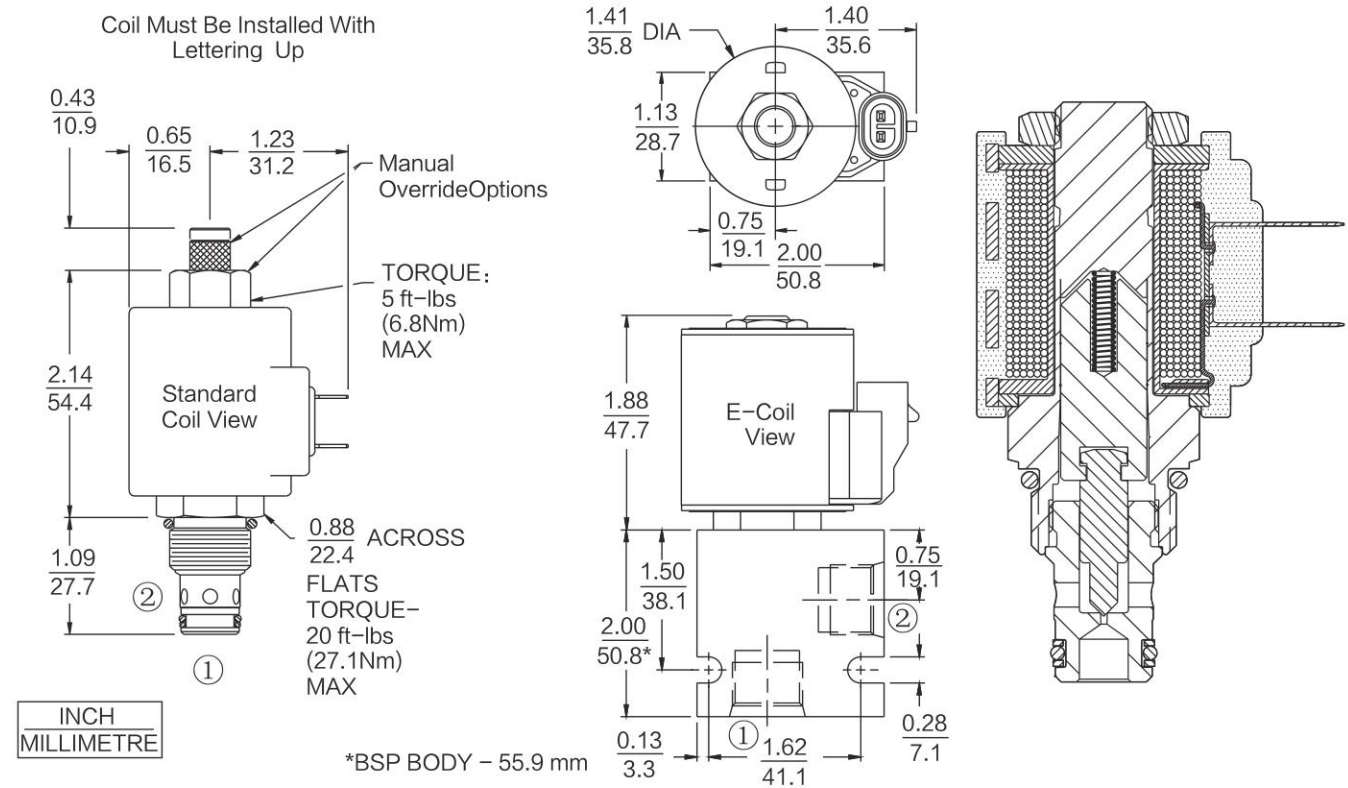
RATINGS

Operating Pressure: 207 bar (3000 psi)
Effective Orifice Size: 0.81 mm (0.032 in.)
Internal Leakage: 0.10 cc/minute (3 drops/minute) max. at 207 bar (3000 psi)
Temperature: -40 to 120° C with standard Buna seals
Coil Duty Rating: Continuous from 85% to 115% of nominal voltage
Response Time: First indication of change of state with 100% voltage supplied at 80% of nominal flow rating (2 to 1 direction):
 Energized: 16 msec.; De-energized: 10 msec.
Initial Coil Current Draw at 20° C: Standard Coil: 1.2 amps at 12 VDC; 0.13 amps at 115 VAC (full wave rectified).
 E-Coil: 1.4 amps at 12 VDC; 0.7 amps at 24 VDC
Minimum Pull-in Voltage: 85% of nominal at 207 bar (3000 psi)
Fluids: Mineral-based or synthetics with lubricating properties at viscosities of 7.4 to 420 cSt (50 to 2000 sus);
Cavity: T08-2E; See bottom of this catalog.

PERFORMANCE (Cartridge Only)



DIMENSIONS



MATERIALS

Cartridge: Weight: 0.09 kg. (0.20 lbs.); Steel with hardened work surfaces. Zinc-plated exposed surfaces; Buna N O-rings and back-ups standard.

Standard Ported Body: Weight: 0.16 kg. (0.35 lbs.); Anodized high-strength 6061 T6 aluminum alloy, rated to 207 bar (3000 psi); Ductile iron bodies available; dimensions may differ.

Standard Coil: Weight: 0.11 kg. (0.25 lbs.); Unitized thermoplastic encapsulated, Class H high temperature magnetwire.

E-Coil: Weight: 0.14 kg. (0.3 lbs.); Perfect wound, fully encapsulated with rugged external metal shell; *BSP Body; U.K. Mfr. Only Rated up to IP69K with integral connectors.

TO ORDER

Options		Voltage Std. Coil		Termination (VDC) Std. Coil	
None (Blank)		0	Less Coil**	DS	Dual Spades
Screen	S	10	10 VDC†	DG	DIN 43650
Manual Override	M	12	12 VDC	DL	Leadwires (2)
		24	24 VDC	DLW	Leads w/ Weatherpak® Connectors
		36	36 VDC	DR	Deutsch DT04-2P
		48	48 VDC		
		24	24 VAC		
		115	115 VAC		
		230	230 VAC		
		**Includes Std. Coil Nut †DS, DW or DL terminations only.			
		E-Coil			
		10	10 VDC	ER	Deutsch DT04-2P (IP69K Rated)
		12	12 VDC	EL	Leadwires (2)
		20	20 VDC	EY	Metri-Pack® 150 (IP69K Rated)
		24	24 VDC		
		Coils with internal diode are available. Consult factory.			