

INSV38-26 Blocking/Low Flow, 2-Way, Normally Closed

INSV38-26

**DESCRIPTION**

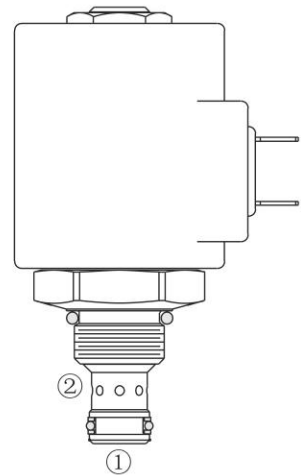
A solenoid-operated, 2-way, normally closed, direct-acting, needle-type, screw-in hydraulic cartridge valve, designed to function as a blocking or load-holding device for low flow circuits.

**OPERATION**

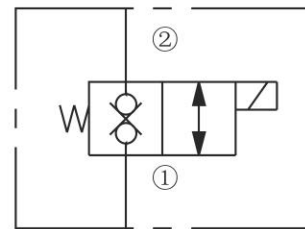
When de-energized, the INSV38-26 blocks flow in both directions, to pressure rating. If pressure on 1 exceeds the rating, flow may pass from 1 to 2. When energized, the needle point lifts to open the valve bidirectionally. Port 2 is the recommended load-holding port.

Operation of Manual Override Option: To override, push button in, twist counterclockwise 180° and release. In this position, the valve will remain open.

To return to normal operation, push button in, twist clockwise 180° and release. Override will be detented in this position.



**ISO SYMBOL**



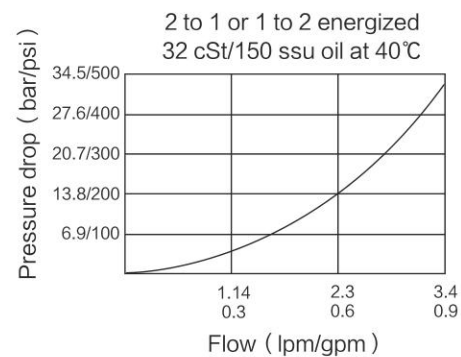
**FEATURES**

- Continuous-duty rated solenoid.
- Hardened seat for long life and low leakage.
- Optional coil voltages and terminations.
- Cartridges are voltage interchangeable.
- Unitized, molded coil design.
- Industry common cavity.
- Manual override option.
- Optional waterproof E-Coils rated up to IP69K.

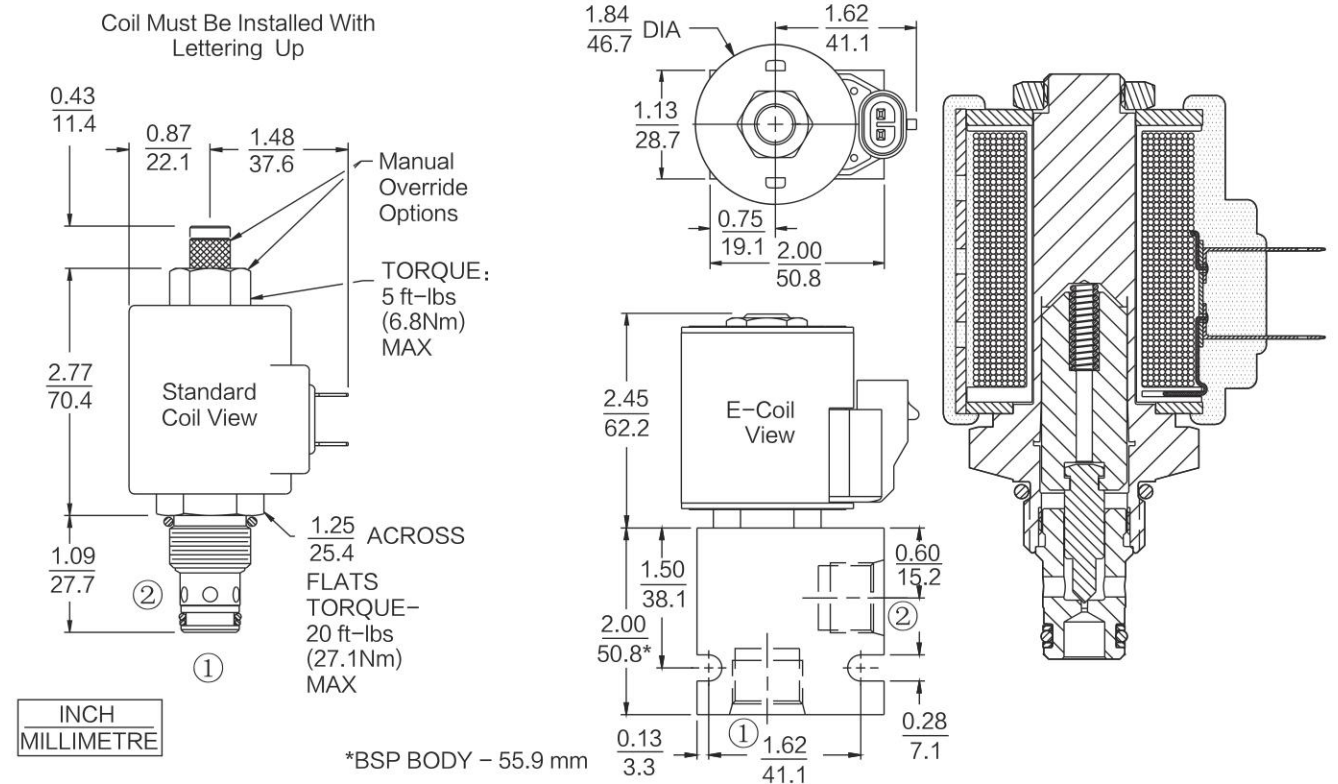
**RATINGS**

**Operating Pressure:** 207 bar (3000 psi)  
**Proof Pressure:** 520 bar (7540 psi)  
**Internal Leakage:** 0.10 cc/minute (2 drops/minute) max. at 207 bar (3000 psi)  
**Temperature:** -40 to 120° C with standard Buna seals  
**Coil Duty Rating:** Continuous from 85% to 115% of nominal voltage  
**Response Time:** First indication of change of state with 100% voltage supplied at 80% of nominal flow rating: Energized: 22 msec.; De-energized: 5 msec.  
**Initial Coil Current Draw at 20° C:** Standard Coil: 1.67 amps at 12 VDC; 0.18 amps at 115 VAC (full wave rectified). E-Coil: 1.7 amps at 12 VDC; 0.85 amps at 24 VDC  
**Minimum Pull-in Voltage:** 85% of nominal at 207 bar (3000 psi)  
**Fluids:** Mineral-based or synthetics with lubricating properties at viscosities of 7.4 to 420 cSt (50 to 2000 sus);  
**Cavity:** T08-2E; See bottom of this catalog.

**PERFORMANCE (Cartridge Only)**



**DIMENSIONS**



**MATERIALS**

**Cartridge:** Weight: 0.15kg. (0.33 lbs.); Steel with hardened work surfaces. Zinc-plated exposed surfaces. Buna N O-rings and polyester elastomer back-up standard.

**Standard Ported Body:** Weight: 0.16 kg. (0.35 lbs.); Anodized high-strength 6061 T6 aluminum alloy, rated to 207 bar (3000 psi). Ductile iron bodies available; dimensions may differ.

**Standard Coil:** Weight: 0.27 kg. (0.60 lbs.); Unitized thermoplastic encapsulated, Class H high temperature magnetwire.

**E-Coil:** Weight: 0.41 kg. (0.9 lbs.); Fully encapsulated with rugged external metal shell. Rated up to IP69K with integral connectors.

**TO ORDER**

INSV38-26		Voltage Std. Coil		Termination (VDC) Std. Coil	
<b>Options</b>		0	Less Coil**	DS	Dual Spades
None (Blank)	(Blank)	10	10 VDC†	DG	DIN 43650
152 μ Screen	S	12	12 VDC	DL	Leadwires (2)
Manual Override	M	24	24 VDC	DL/W	Leads w/ Weatherpak® Connectors
Manual Override		36	36 VDC	DR	Deutsch DT04-2P
Manual Override		48	48 VDC		
For Manual Override options see page 1.001.1		24	24 VAC		
<b>Porting</b>		115	115 VAC		
Cartridge Only	0	230	230 VAC		
SAE 4	4T				
SAE 6	6T				
1/4 in. BSP*	2B				
3/8 in. BSP*	3B				
1/2 in. BSP*	4B				
*BSP Body; U.K. Mfr. Only					
<b>Seals</b>					
Buna N (Std.)	N				
Fluorocarbon	V				

\*\*Includes Std. Coil Nut  
 †DS, DW or DL terminations only.

Coils with internal diode are available. Consult factory.