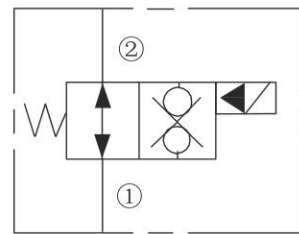
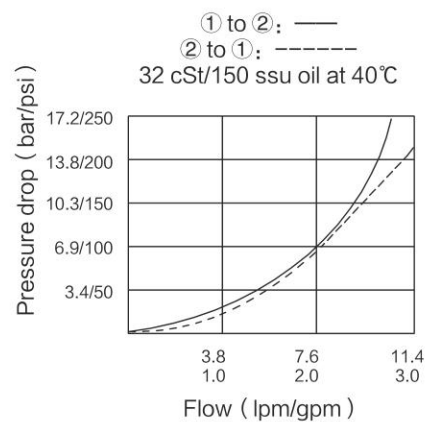


ISO SYMBOL



PERFORMANCE (Cartridge Only)



DESCRIPTION

A solenoid-operated, two-way, normally closed, internally piloted, poppet-type, bi-directional blocking, screw-in hydraulic cartridge valve, designed for low leakage in load-holding applications.

OPERATION

When de-energized, INSV08-29 allows flow in both directions. When energized, the valve's poppet closes on its seat, blocking flow from 2 to 1 or 1 to 2.

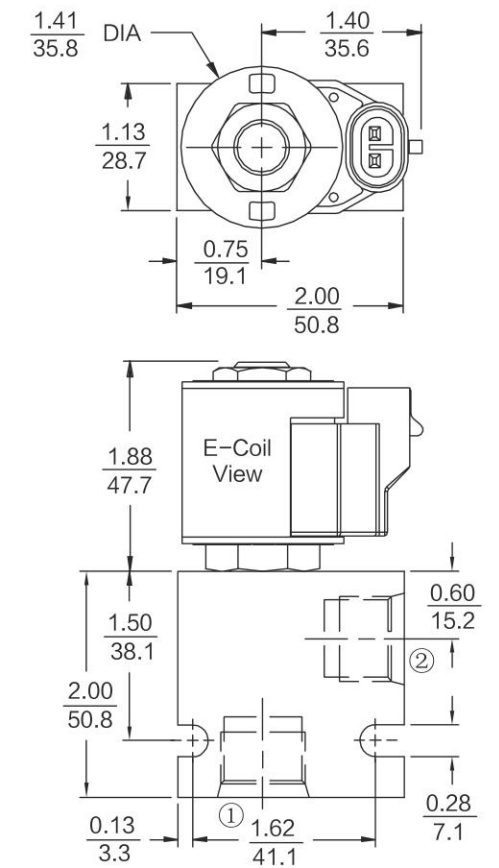
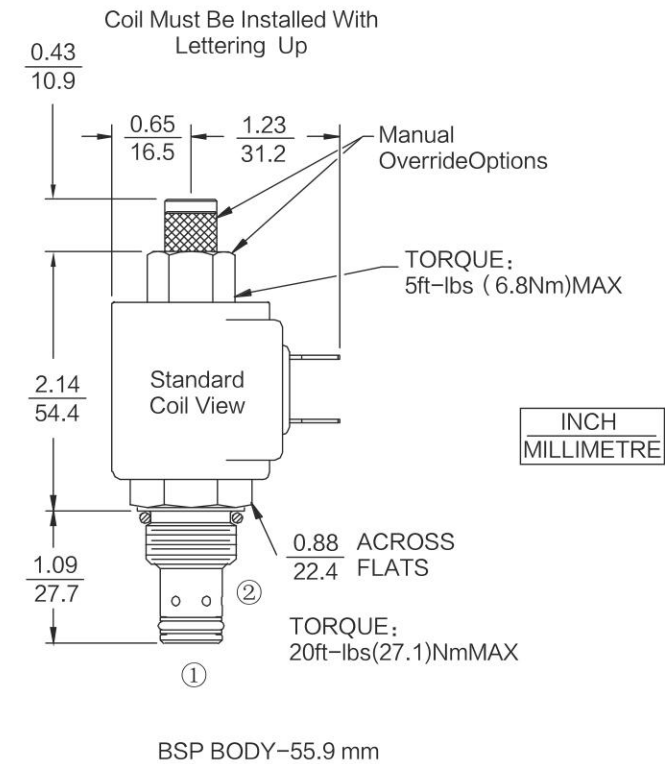
FEATURES

- Continuous-duty rated solenoid.
- Optional coil voltages and terminations.
- Efficient wet-armature construction.
- Cartridges are voltage interchangeable.
- Optional waterproof E-Coils rated up to IP69K.
- Hardened seat for long life and low leakage.
- Manual Override Options.
- Unitized, molded coil design.
- Cost effective cavity.

RATINGS

Operating Pressure: 207 bar.
Flow Rating: 11.4L/min.
Internal Leakage: 0.25 ml/minute (5 drops/minute) max. at 207 bar (3000 psi)
Temperature: -40°C to 120°C, with standard Buna seals;
Coil Duty Rating: Continuous from 85% to 115% of nominal voltage.
Response Time: First indication of change of state with 100% voltage supplied at 80% of nominal flow rating: Energized: 50 ms; De-energized: 16 ms
Initial Coil Current Draw at 20°C :
Standard Coil: 1.2 amps at 12 VDC; 0.13 amps at 115 VAC (full wave rectified).
E-Coil: 1.4 amps at 12 VDC; 0.7 amps at 24 VDC
Minimum Pull-in Voltage: 85% of nominal at 207 bar (3500 psi)
Fluids: Mineral-based or synthetics with lubricating properties at viscosities of 7.4 to 420 cSt (50 to 2000 sus)
Cavity: T08-2E, See bottom of this catalog.

DIMENSIONS



MATERIALS

Cartridge: Weight: 0.18kg (0.40lbs); INSV08-29

Steel with hardened work surfaces.
 Zinc-plated exposed surfaces;
 Buna N O-rings and back-ups standard.

Standard Ported Body: Weight: 0.16kg (0.35lbs); Anodized high strength aluminum alloy, rated to 207 bar (3000 psi).
 Ductile iron bodies available; dimensions may differ.

Standard Coil: Weight: 0.11kg (0.25lbs); Unitized thermoplastic encapsulated, Class H high temperature magnet wire.

E-Coil: Weight: 0.41kg (0.90lb); Perfect wound, fully encapsulated with rugged external metal shell; Rated up to IP69K with integral connectors.

TO ORDER

Options	Voltage Std. Coil	Termination (VDC) Std. Coil
None (Blank)	0 Less Coil**	DS Dual Spades
Manual Override U	10 10 VDC†	DG DIN 43650
150 μ Screen S	12 12 VDC	DL Leadwires (2)
Manual Override M	24 24 VDC	DL/W Leads w/ Weatherpak® Connectors
	36 36 VDC	DR Deutsch DT04-2P
	24 24 VAC	
	115 115 VAC	Termination (VAC) Std. Coil
	230 230 VAC	AG DIN 43650
		AP 1/2 in. Conduit
		Termination (VDC) E-Coil
		ER Deutsch DT04-2P (IP69K Rated)
		EL Leadwires (2)
		EY Metri-Pack® 150 (IP69K Rated)

**Includes Std. Coil Nut
 †DS, DW or DL terminations only.

Coils with internal diode are